

## SG-UAV2030NL-T25

- Thermal + Optical Bi-spectrum Network Drone Camera

- 640x480 Thermal + 2MP 30x Zoom Starlight Network Drone Camera



### 1. Features

- > 1 Channel Thermal and Visible Video complex stream.
- > One single Main Control Chip, more stable than double IP version products.
- > Smart tracking on both Thermal camera(Night) and Visible camera(Day)
- > 3-axis stabilized Pan-Tilt, High precision:  $\pm 0.008^\circ$
- > Support GPS info Overlay.
- > Support smart Auto-Tracking
- > Quick Assembly and Disassembly, Open SDK.

#### Visible Camera

- > 1/2.8" Sony Exmor CMOS Sensor.
- > Powerful 30x optical zoom (4.7~141mm Lens), 4x Digital Zoom.
- > Max. 2Mp(1920x1080) Resolution
- > Support various IVS functions
- > Support Electronic Defog, Electronic Image Stabilization

#### Thermal Camera

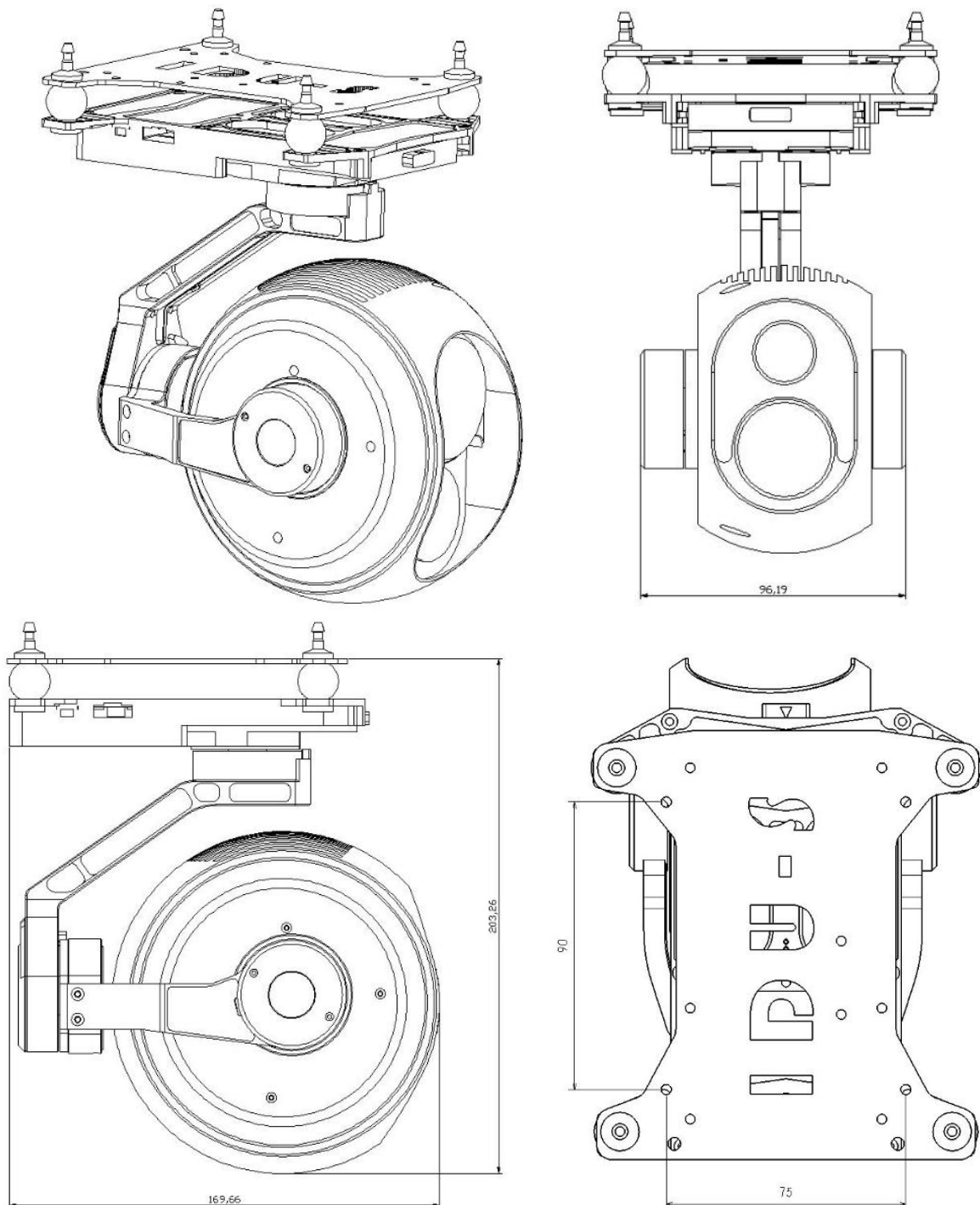
- > 640x480 Resolution, high sensitivity sensor
- > 17um Pixel pitch.
- > 25mm Fixed Thermal Lens

### 2. Specification

Model		SG-UAV2030NL-T25
<b>Thermal Camera</b>		
Sensor	Image Sensor	Uncooled Microbolometer FPA(Amorphous silicon)
	Resolution	640 x 480
	Pixel Size	17μm
	Sensitivity	≤60mk@300k
Lens	Focal Length	25mm, F1.0
	Focus	Athermalized, Focus-free
	Angle of View	24.5°x18.5°
Video Network	Compression	H.265/H.264/H.264H
	Network Protocol	Onvif, GB28181, HTTP, RTSP, RTP, TCP, UDP
Resolution		50Hz: 25fps(640x480)
<b>Visible Camera</b>		
Sensor	Image Sensor	1/2.8" CMOS
	Effective Pixels	Approx. 2.13 Megapixel
	Max. Resolution	1920 (H)x1080(V)
Lens	Focal Length	4.7mm~141mm, 30x Optical Zoom
	Aperture	F1.5~F4.0
	Close Focus Distance	0.1m~1.5m (Wide ~ Tale)
	Angle of View	60.5°~2.3°
Video Network	Compression	H.265/H.264/H.264H/MJPEG
	Storage Capabilities	TF card, up to 128G
	Network Protocol	Onvif, GB28181, HTTP, RTSP, RTP, TCP, UDP
Resolution	Network Output	50Hz: 25fps@2Mp(1920x1080), 25fps@1Mp(1280x720) 60Hz: 30fps@2Mp(1920x1080), 30fps@1Mp(1280x720)
IVS		Tripwire, Cross Fence Detection, Intrusion, Abandoned Object, Fast-Moving, Parking Detection, Crowd Gathering Estimation, Missing Object, Loitering Detection.
Minimum Illumination		Color: 0.005Lux/F1.5; B/W: 0.0005Lux/F1.5
Electronic Image Stabilization		Support
Digital Zoom		4x
Defog		Electronic Defog (Default ON).
One Key to 1x Image		Support
<b>Pan-Tilt Gimbal</b>		
Angular Vibration Range		±0.008°
Mount		Detachable
Max. Controllable Range		Pitch: +70°~-90°, Yaw: ±160°
Mechanical Range		Pitch: +75°~-100°, Yaw: ±175°, Roll:+90°~-50°
Max. Controllable Speed		Pitch: ±120°/s, Yaw: ±180°/s

Auto Tracking	Support
<b>Condition</b>	
Operating Conditions	-10°C~+45°C/20% to 80%RH
Storage Conditions	-20°C~+70°C/20% to 95%RH
Power Supply	DC 12V~25V
Power Consumption	8.4W
Dimensions(L*W*H)	Approx. 136mm*96mm*155mm
Weight	Approx. 920g

### 3. Dimension



#### 4. Wireless DataLink

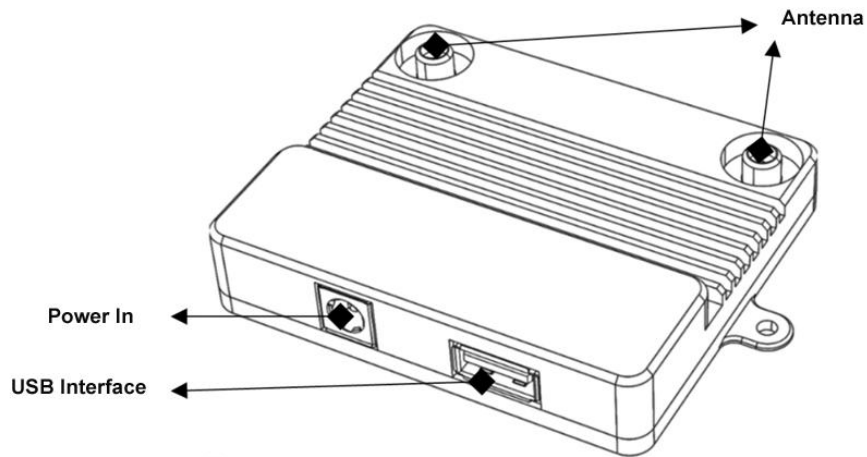


**Ground Station**

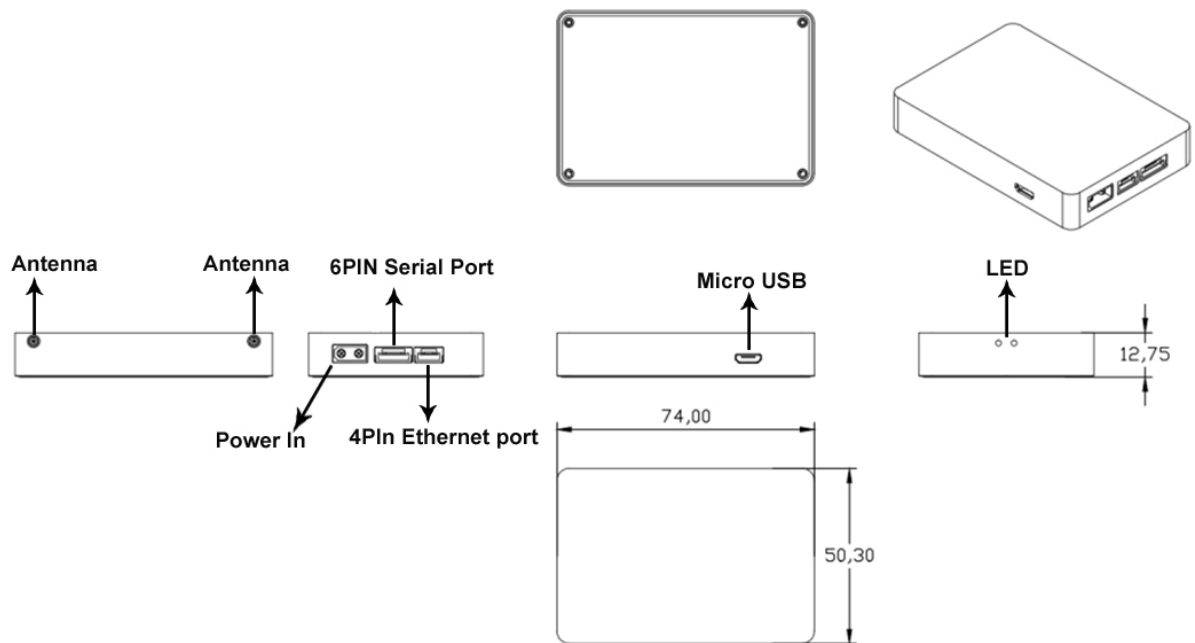


**Air Station**

Model	SG-DL1400	
Operating Frequency	1430~1444MHz	
Bandwidth	10MHz	
Maximum Output Power	300mW(25dBm)	
Bitrate	Max Live View Bitrate 30Mbps	
Transmission Distance	Max. 8km	
Delay	Video delay	≤100ms
	Data delay	≤50ms
	Starting up	≤15s
Air Station	Dimensions(L*W*H)	74mm*50.3mm*12.75mm(no Antenna)
	Weight	78g
	Interface	DC12V~25V x1
		Ether x1 (4PIN) Serial Port x1(3.3V TTL)
Ground Station	Dimensions(L*W*H)	76mm*65mm*17mm(no Antenna)
	Weight	87g
	Interface	DC12V x1
		USB x1
Operating Conditions	-20°C~+70°C / 5%~95%RH	
Storage Conditions	-40°C~+85°C / 5%~95%RH	
Power Supply	DC 12V~25V, 0.3A(Air Station); DC12V, 0.3A(Ground Station)	
Power Consumption	<6W(Air Station); <3W(Ground Station)	
Continuous work	>12 hours	



Ground Station



Air Station

### Hangzhou Savgood Technology Co., Ltd.

Rm. 701, Xincheng Fazhan Building #1, No. 406 Xintiandi Street,  
 Xiacheng District, Hangzhou City, 310004, China  
 Tel: +86 - (571) 8803 8121  
 Email: sales@savgood.com  
 http://www.savgood.com

\*Design and specifications are subject to change without prior notification.  
 © 2013 Savgood Technology Co., Ltd.