

SG-UAV8003NL

- 8Megapixel 3.5x Zoom Drone Camera with Gimbal



1. Features

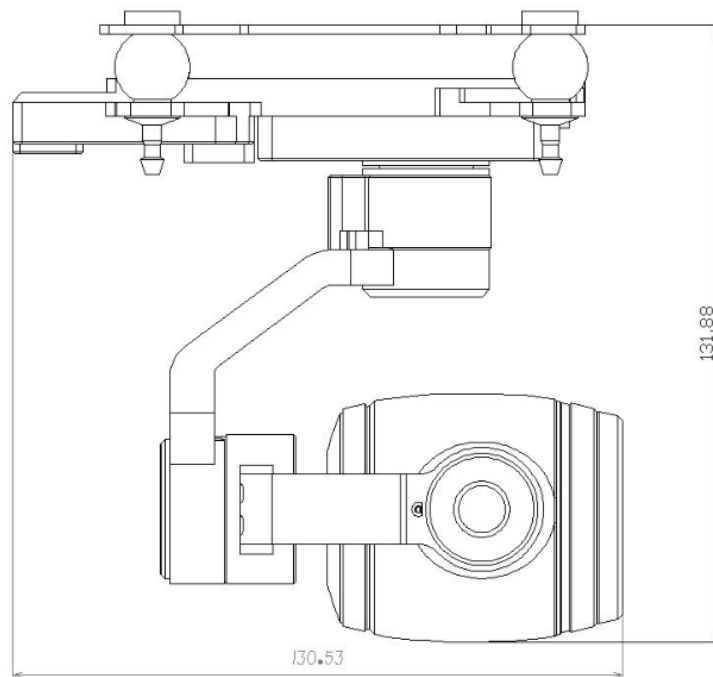
- > 1/2.3" 12 Megapixel COMS Sensor.
- > Powerful 3.5x optical zoom (3.85mm~13.4mm), 4x Digital Zoom.
- > Max. 8Mp(3840x2160) Resolution
- > Support various IVS functions
- > Support Defog, Electronic Image Stabilization
- > 3-Axis stabilized Pan-Tilt, High precision: 0.008°
- > Support GPS info Overlay.
- > Support smart Auto-Tracking
- > Quick Assembly and Disassembly, Open SDK.

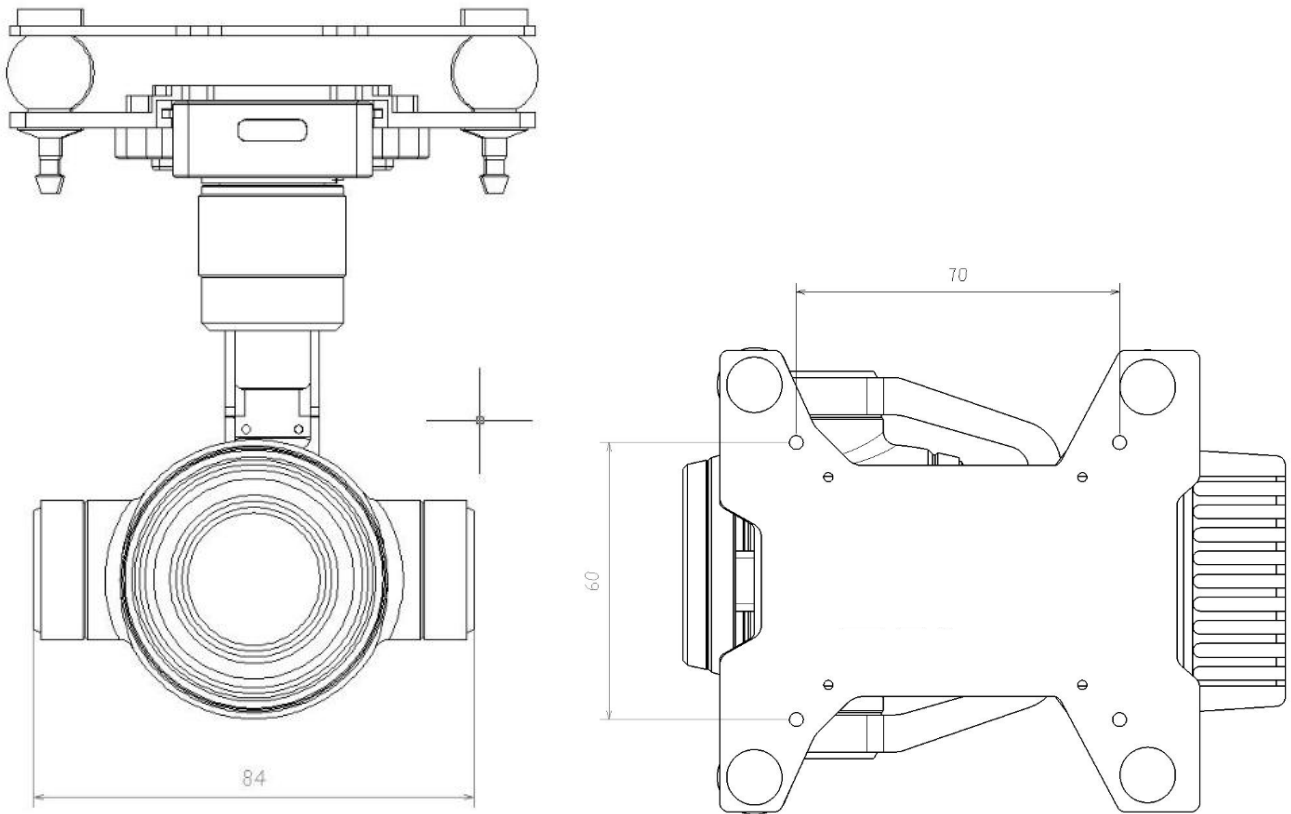
2. Specification

Model		SG-UAV8003NL
Sensor	Image Sensor	1/2.3" CMOS
	Effective Pixels	Approx. 12.35 Megapixel
	Max. Resolution	4152(H)x3062(V)
Lens	Focal Length	3.85mm~13.4mm
	Optical Zoom	3.5x
	Aperture	F2.4~F5.0
	Close Focus Distance	1m~3m (Wide ~ Tale)
	Angle of View	82°~25°
Video Network	Compression	H.265/H.264
	Video/Photo Format	MP4/JPEG.
	Storage Capabilities	TF card, up to 128G
	Network Protocol	Onvif, GB28181, HTTP, RTSP, RTP, TCP, UDP

Resolution	Network Output	50Hz: 25fps@8Mp(3840x2160); 60Hz: 30fps@8Mp(3840x2160)
IVS		Tripwire, Cross Fence Detection, Intrusion, Abandoned Object, Fast-Moving, Parking Detection, Crowd Gathering Estimation, Missing Object, Loitering Detection.
Minimum Illumination		Color: 0.2Lux/F2.4; B/W: 0.02/F2.4
Defog		Electronic Defog (Default ON).
Digital Zoom		4x
Electronic Image Stabilization		Support
One Key to 1x Image		Support
Pan-Tilt Gimbal		
Angular Vibration Range		$\pm 0.008^\circ$
Mount		Detachable
Controllable Range		Pitch: $+70^\circ \sim -90^\circ$, Yaw: $\pm 160^\circ$
Mechanical Range		Pitch: $+75^\circ \sim -100^\circ$, Yaw: $\pm 175^\circ$, Roll: $+90^\circ \sim -50^\circ$
Max. Control Speed		Pitch: $\pm 120^\circ/s$, Yaw: $\pm 180^\circ/s$
Auto-tracking		Support
Conditions		
Operating Conditions		$(-10^\circ\text{C} \sim +60^\circ\text{C}/20\% \text{ to } 80\%\text{RH})$
Storage Conditions		$(-20^\circ\text{C} \sim +70^\circ\text{C}/20\% \text{ to } 95\%\text{RH})$
Power Supply		DC 12V~25V
Power Consumption		8.4W
Dimensions(L*W*H)		Approx. 96mm*79mm*120mm
Weight		Approx. 275g

3. Dimension



**Hangzhou Savgood Technology Co., Ltd.**

Rm. 701, Xincheng Fazhan Building #1, No. 406 Xintiandi Street,
Xiacheng District, Hangzhou City, 310004, China
Tel: +86 - (571) 8803 8121
Email: sales@savgood.com
<http://www.savgood.com>

*Design and specifications are subject to change without prior notification.
© 2013 Savgood Technology Co., Ltd.