

SG-PTD2030NL

- 2Megapixel 30x Starlight Network PTZ Dome Camera



1. Features

- > 1/2.8" Sony CMOS Sensor.
- > Powerful 30x optical zoom (4.7~141mm).
- > Starlight technology
- > H.265 Encoding, 3 Streams
- > Max. 2Mp(1920x1080) Resolution
- > Support various IVS functions
- > Support Electronic Defog
- > IR distance up to 250m
- > IP66
- > Support IVS Auto Tracking

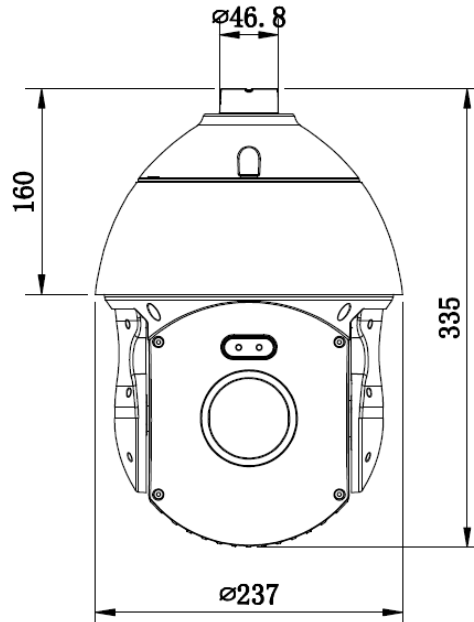
2. Specification

Model		SG-PTD2030NL
Sensor	Image Sensor	1/2.8" Sony CMOS
	Effective Pixels	Approx. 2.13 Megapixel
	Max. Resolution	1920 (H)x1080(V)
Lens	Focal Length	4.7mm~141mm, 30x Optical Zoom
	Aperture	F1.5~F4.0
	Close Focus Distance	1m~2m (Wide ~ Tale)
	Angle of View	60.5°~2.3°
Video Network	Compression	H.265/H.264/H.264H/MJPEG
	Streaming Capability	3 Streams
	Storage Capabilities	Support MicroSD card, up to 128G (Recommend use class10)
	Protocol	TCP/IP, HTTP, DHCP, DNS, DDNS, RTP, RTSP, PPPoE, SMTP, NTP, UPnP, FTP

	Interoperability	Onvif, GB28181,
	Smart Alarm	Motion Detection, Cover Alarm, Storage Full Alarm
Resolution		50Hz: 25fps@2Mp(1920×1080), 60Hz: 30fps@2Mp(1920×1080)
IVS		Tripwire, Cross Fence Detection, Intrusion, Abandoned Object, Fast-Moving, Parking Detection, Crowd Gathering Estimation, Missing Object, Loitering Detection.
S/N Ratio		≥55dB (AGC Off, Weight ON)
Minimum Illumination		Color: 0.005Lux/F1.5; B/W: 0.0005Lux/F1.5
EIS		Electronic Image Stabilization (ON/OFF)
ROI		Support 4 Areas
Defog		ON/OFF
Exposure Compensation		ON/OFF
Strong Light Suppression		ON/OFF
Day/Night		Auto(ICR) / Color / B/W
IR		250m
Zoom Speed		Approx 3.5s (Optical Wide-Tele)
White Balance		Auto/Manual/ATW/Indoor/Outdoor/ Outdoor Auto/ Sodium lamp Auto / Sodium lamp
Electronic Shutter Speed		Auto Shutter (1/3s~1/30000s)Manual Shutter (1/3s~1/30000s)
Exposure		Auto/Manual
Gain Control		Auto / Manual
Noise Reduction		2D/3D
Flip		Support
Focus Mode		Auto/Manual/Semi-automatic/One time
Digital Zoom		4x
PTZ	Pan/Tilt Range	Pan: 360°; Tilt: -10°-90°
	Pan Speed	Configurable, pan: 0.1°-150°/s; preset speed: 180°/s
	Tilt Speed	Configurable, tilt: 0.1°-90°/s; preset speed: 90°/s
	OSD	Support
	Area Zoom In	Support
	Quick PTZ	Support
	Area Focus	Support
	Presets	255
	Patrol	4 Patrols, up to 10 presets for each patrol
	Pattern	1 pattern scan, 32 actions can be recorded continuously
	Line Scan	1
	360° Pan Scan	1
	Idle Motion	Activate Preset/Scan/Tour/Pattern/Pan Scan
	Power up action	Activate Preset/Scan/Tour/Pattern/Pan Scan

	Park Action	Preset/Patrol/Pattern
	Auto Tracking	Support
Interface	Power Supply	DC12V
	GND	GND(PTZ housing and Power Supply)
	Ethernet	RJ45(10Base-T/100Base-TX)
	Audio I/O	1/1
	Alarm I/O	1/1
	Video Interface	1 port(BNC, 1.0V[p-p], 75Ω)
	RS485	1
	RS232	1
	USB	1
	Working Conditions	(-20°C~+60°C/20% to 95%RH)
Power Supply	DC 12V/4A, PoE	
Power Consumption	Day: 6W; Patrol: 9W; Night (Patrol+ IR): 28W	
Protection Level	IP66; TVS 6000V Lightning Protection, surge prevention, B/T17626.5	
Dimensions(L*W*H)	Φ237(mm)×335(mm)	
Weight	6kg	

3. Dimension:



Hangzhou Savgood Technology Co., Ltd.

Rm. 701, Xincheng Fazhan Building #1, No. 406 Xintiandi Street,
 Xiacheng District, Hangzhou City, 310004, China
 Tel: +86 - (571) 8803 8121
 Email: sales@savgood.com
 http://www.savgood.com

*Design and specifications are subject to change without prior notification.
 © 2013 Savgood Technology Co., Ltd.