

## SG-PTZ2057NO(2)-L3K

- 2MP 57x Long Range Zoom Starlight Laser Network PTZ Camera



### 1. Features

- > Sony Exmor Starlight CMOS Sensor
- > Powerful 57x(15~850mm) optical zoom
- > Max. 25/30fps @ 2MP(1920x1080) Resolution
- > Support various IVS functions
- > Up to 3km Laser IR Distance
- > IP66
- > -O2 version support OIS function (Optical Image Stabilization)

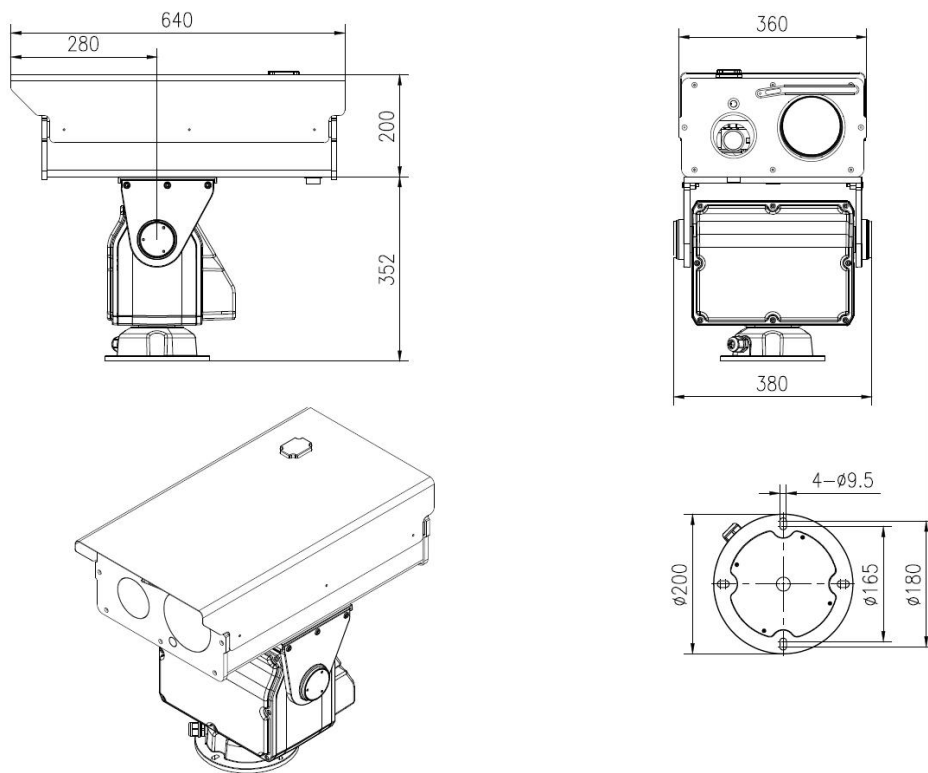
### 2. Specification

Model		SG-PTZ2057NO-L3K		SG-PTZ2057NO2-L3K	
Sensor	Image Sensor	1/1.8" Sony Starvis progressive scan CMOS			
	Effective Pixels	Approx. 4.17 Megapixel			
Lens	Focal Length	15mm~850mm, 57x Optical Zoom			
	Aperture	F2.8~F6.5			
	Field of View	H: 29.1°~0.5°, V: 16.7°~0.2°, D: 33.2°~0.6°			
	Close Focus Distance	1m~10m (Wide~Tele)			
	Zoom Speed	Approx. 8s (Optical Wide~Tele)			
	DORI Distance (Human)	Detect	Observe	Recognize	Identify
	11,000m	4,365m	2,200m	1,100m	
Video	Compression	H.265/H.264/H.264H/MJPEG			
	Streaming Capability	3 streams			
	Resolution	50Hz: 25fps@2MP(1920×1080), 25fps@1MP(1280×720) 60Hz: 30fps@2MP(1920×1080), 30fps@1MP(1280×720)			
	Video Bit Rate	32kbps~16Mbps			

	Audio	AAC / MP2L2	
Network	Storage	TF card (256 GB), FTP, NAS	
	Network Protocol	Onvif, HTTP, HTTPS, IPv4, IPv6, RTSP, DDNS, RTP, TCP, UDP	
	Multicast	Support	
General Events		Motion, Tamper, SD Card, Network	
IVS		Tripwire, Cross Fence Detection, Intrusion, Abandoned Object, Fast-Moving, Parking Detection, Crowd Gathering Estimation, Missing Object, Loitering Detection.	
S/N Ratio		≥55dB (AGC Off, Weight ON)	
Minimum Illumination		Color: 0.001Lux/F1.4; B/W: 0.0001Lux/F1.4	
Noise Reduction		2D/3D	
Exposure Mode		Auto, Aperture Priority, Shutter Priority, Gain Priority, Manual	
Exposure Compensation		Support	
Shutter Speed		1/1~1/30000s	
BLC		Support	
HLC		Support	
WDR		Support	
White Balance		Auto, Manual, Indoor, Outdoor, ATW, Sodium lamp, Street lamp, Natural, One Push	
Day/Night		Electrical, ICR(Auto/Manual)	
Focus Mode		Auto, Manual, Semi Auto, Fast Auto, Fast Semi Auto, One Push AF	
Electronic Defog		Support	
Optical Defog		Support, 750nm~1100nm channel is Optical Defog	
Heat Haze Reduction		Support	
Flip		Support	
EIS		Support	
OIS (Optical Image Stabilization)		N/A	Support (ON/OFF)
Digital Zoom		16x	
IR Distance		Up to 3000m	
IR On/OFF Control		Auto/Manual	
IR LEDs		Laser Module	
Wiper		Support	
PTZ	Material	Integrative structure design, Aluminum-Alloy shell	
	Power-Off Protection	Support	
	Pan/Tilt Range	Pan: 360°, Endless; Tilt: -45°~45°	
	Pan/Tilt Speed	Adjustable, pan: 0.01°~40°/s; Tilt: 0.01°~20°/s;	
	Accuracy	0.01°	
	Tour	8	
	Presets	256	
	Protocol	Pelco-P/D	

Ethernet	RJ-45 (10Base-T/100Base-TX)
RS485	1
Audio I/O	1/1
Alarm I/O	7/2
Power Supply	DC48V
Power Consumption	80W
Operating Conditions	-40°C~+60°C, <90%RH
Protection Level	IP66; TVS 6000V Lightning Protection, surge prevention
Dimensions(L*W*H)	Approx. 640mm*380mm*552mm
Gross Weight	50kg

### 3. Dimension



#### Hangzhou Savgood Technology Co., Ltd.

Rm. 701, Xincheng Fazhan Building #1, No. 406 Xintiandi Street,  
Xiacheng District, Hangzhou City, 310004, China

Tel: +86 - (571) 8803 8121

Email: sales@savgood.com

<http://www.savgood.com>

<http://www.savgoodtech.com>

\*Design and specifications are subject to change without prior notification.

© 2013 Savgood Technology Co., Ltd.