

## SG-TCM06N2-M100

- 640x512 Thermal Network Camera Module with 100mm Motor Lens



### 1. Features

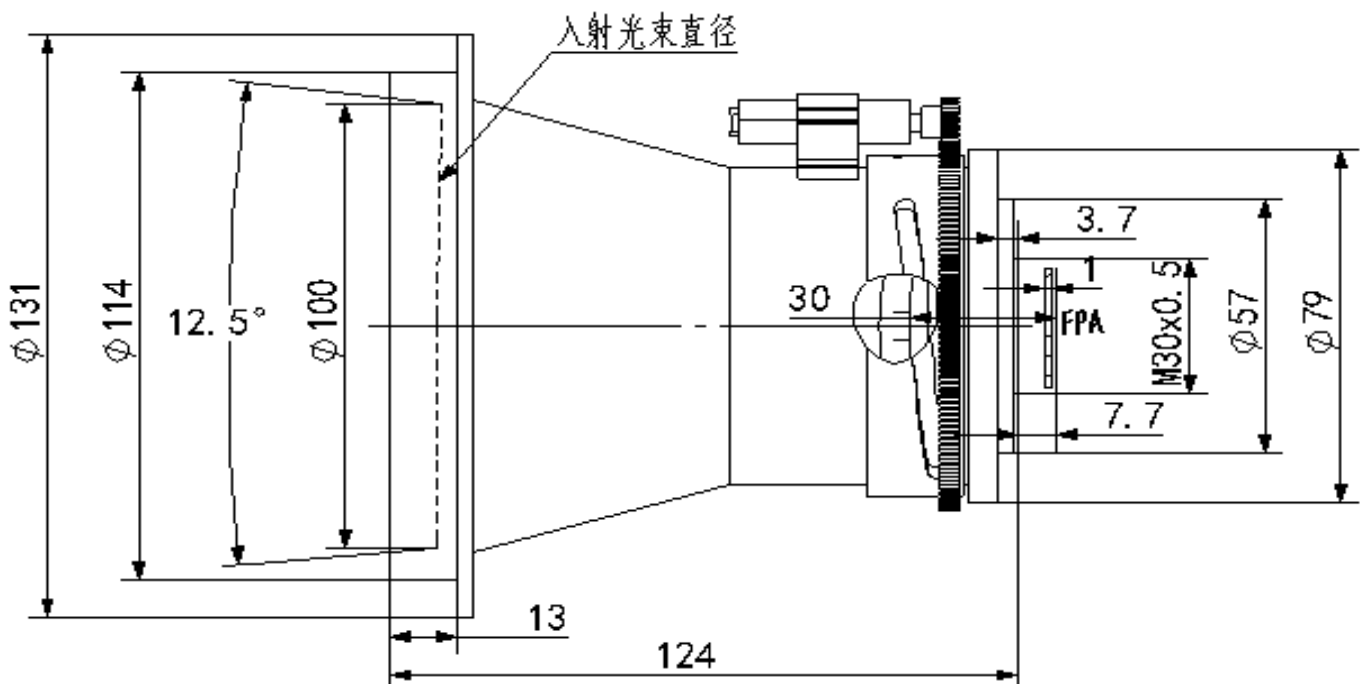
- > 640x512 Resolution, high sensitivity sensor
- > 12um Pixel pitch.
- > 100mm Motor Thermal Lens
- > Support fast Auto Focus
- > Support various IVS functions
- > Support Fire Detection
- > Modular design, better to do function extension

### 2. Specification

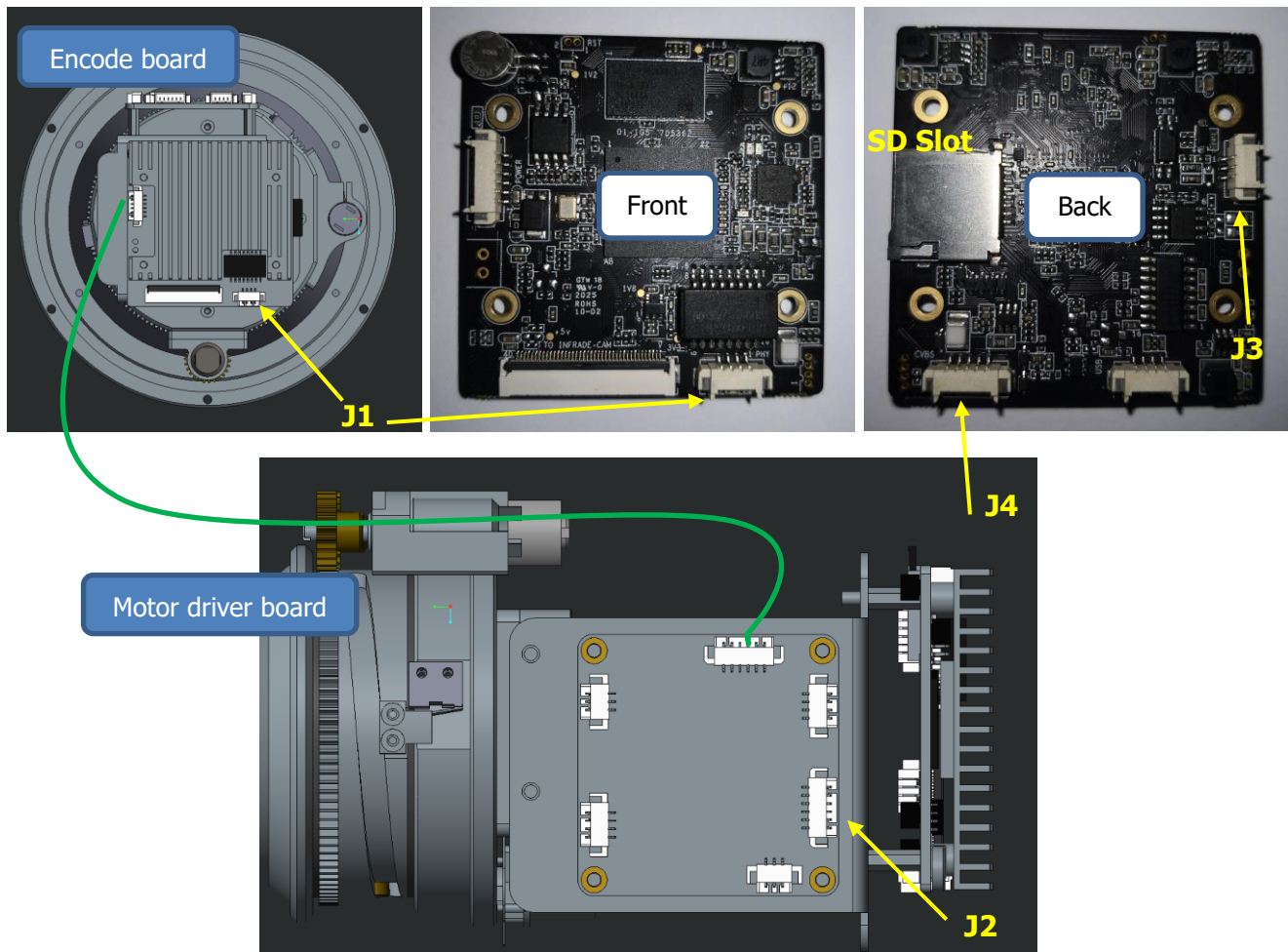
Model		SG-TCM06N2-M100
Sensor	Image Sensor	Uncooled VOx microbolometer
	Resolution	640 x 512
	Pixel Size	12μm
	Spectral Range	8~14μm
	NETD	≤40mK@25°C, F#1.0
Lens	Focal Length	100mm Motor Lens
	Optical Zoom	N/A
	Digital Zoom	8x
	F Value	F1.0
	FOV	4.4°
Video	Compression	H.265/H.264/H.264H

	Snapshot	JPEG
	Pseudo color	Support: White Hot, Black Hot, Iron Red, Rainbow 1, Fulgurite, Rainbow 2, Fusion, Bluish Red, Amber, Arctic, Tint
	Streams	Main Stream: 25fps@(704x576), 25fps@(352x288) Sub Stream: 25fps@(704x576), 25fps@(352x288)
Network	Network Protocol	IPv4/IPv6, HTTP, HTTPS, Qos, FTP, SMTP, UPnP, DNS, DDNS, NTP, RTSP, RTP, TCP, UDP, DHCP, PPPoE, 802.1X, IP Filter
	Interoperability	ONVIF Profile S, Open API, SDK
	Max. Connection	20
Intelligence	Normal Event	Motion Detection, Audio detection, IP address conflict, Illegal Access, Storage anomaly
	IVS functions	Support intelligent functions: <b>Tripwire, Cross Fence Detection, Intrusion, Loitering Detection.</b>
	Fire Detection	Support
Interface	Ethernet	4PIN Ethernet port, 10M/100M self-adaption
	Alarm In/Out	1/1
	RS485	Support
Resolution	50Hz: 25fps@(704x576)	
Storage Capabilities	Micro SD card, up to 256G	
Power Supply	DC 9~12V (Recommend: 12V)	
Operating Conditions	-20°C~+60°C/20% to 80%RH	
Storage Conditions	-40°C~+65°C/20% to 95%RH	
Dimensions(L*W*H)	Approx. 194mm*131mm*131mm	
Weight	Approx. 1.1kg	

### 3. Dimension



## 4. Interface Definition:



Type	PIN Number	PIN Name	Description
(1) 4PIN Internet Interface (J1)	1	ETHRX-	Adaptive Ethernet port, Internet RX-
	2	ETHRX+	Adaptive Ethernet port, Internet RX+
	3	ETHTX-	Adaptive Ethernet port, Internet TX-
	4	ETHTX+	Adaptive Ethernet port, Internet TX+
(2) 6PIN Power & UART Interface (J2)	1	DC_IN	DC12V±10%
	2	GND	GND
	3	485+	RS485+, Pelco Protocol
	4	485-	RS485-, Pelco Protocol
	5	RXD0	TTL 3.3V, Visca Protocol
	6	TXD0	TTL 3.3V, Visca Protocol
(3) 4PIN Alarm (J3)	1	Alarm_IN	Alarm In
	2	Alarm_OUT	Alarm Out
	3	Alarm_OUT_TC	Alarm Out
	4	NULL	NULL
(4) 5PIN Audio & Video Interface (J4)	1	AUDIO_OUT	Audio Out (Line Out)
	2	GND	GND

	3	AUDIO_IN	Audio In (Line In)
	4	GND	GND
	5	VIDEO_OUT	Video Out (CVBS)

---

**Hangzhou Savgood Technology Co., Ltd.**

Rm. 701, Xincheng Fazhan Building #1, No. 406 Xintiandi Street,  
Xiacheng District, Hangzhou City, 310004, China  
Tel: +86 - (571) 8803 8121  
Email: sales@savgood.com  
<http://www.savgood.com>

\*Design and specifications are subject to change without prior notification.  
© 2013 Savgood Technology Co., Ltd.