

## SG-TCM12N2-75/55/35

- 1280x1024 Thermal Network Camera Module with 75mm/55mm/35mm Athermalized Lens



### 1. Features

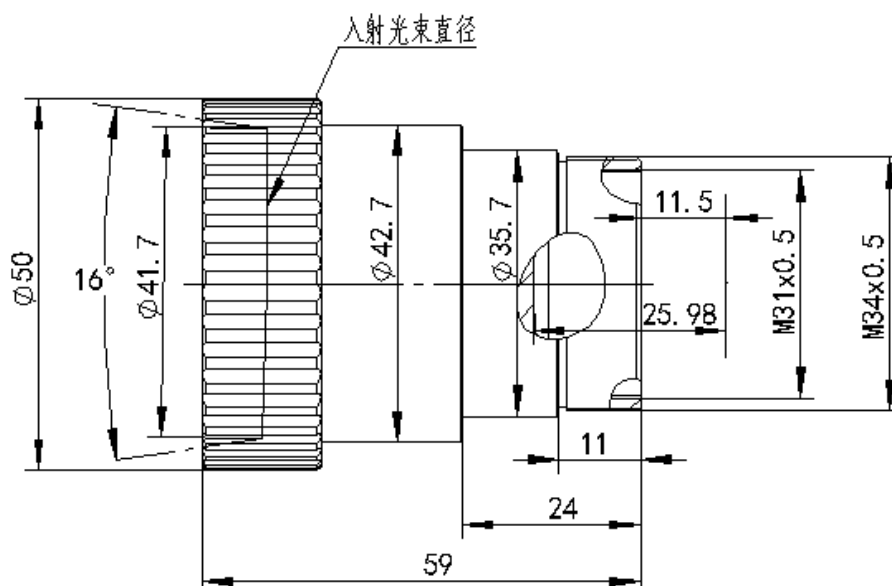
- > 1280x1024 Resolution, high sensitivity sensor
- > 12um Pixel pitch.
- > 75mm/55mm/35mm Athermalized Lens
- > Support various IVS functions
- > Support Fire Detection
- > Modular design, better to do function extension

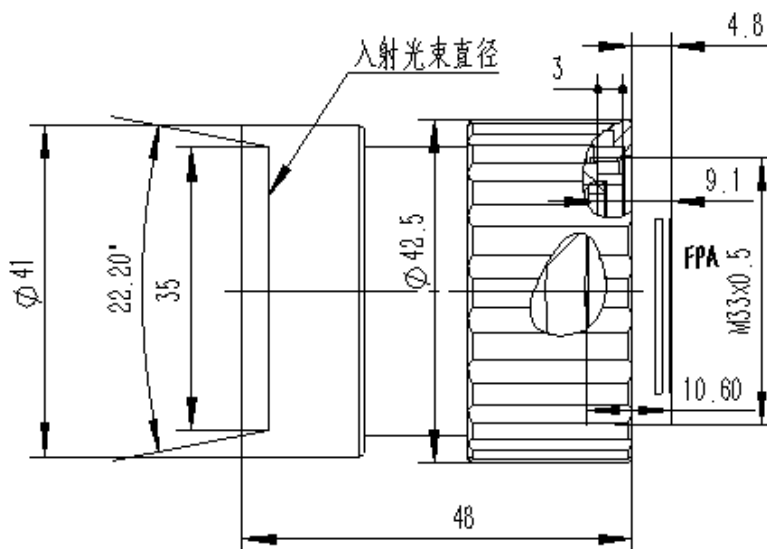
### 2. Specification

Model		SG-TCM12N2-75	SG-TCM12N2-55	SG-TCM12N2-35
Sensor	Image Sensor	Uncooled VOx microbolometer		
	Resolution	1280 x 1024		
	Pixel Size	12μm		
	Spectral Range	8~14μm		
	NETD	≤50mK@25°C, F#1.0		
Lens	Focal Length	75mm Athermalized Lens	55mm Athermalized Lens	35mm Athermalized Lens
	Optical Zoom	N/A	N/A	N/A
	Digital Zoom	4x	4x	4x
	F Value	F1.0	F1.0	F1.0
	FOV	11.7°x9.4°	15.9°x12.7°	24.8°x19.9°
Video	Compression	H.265/H.264/H.264H		

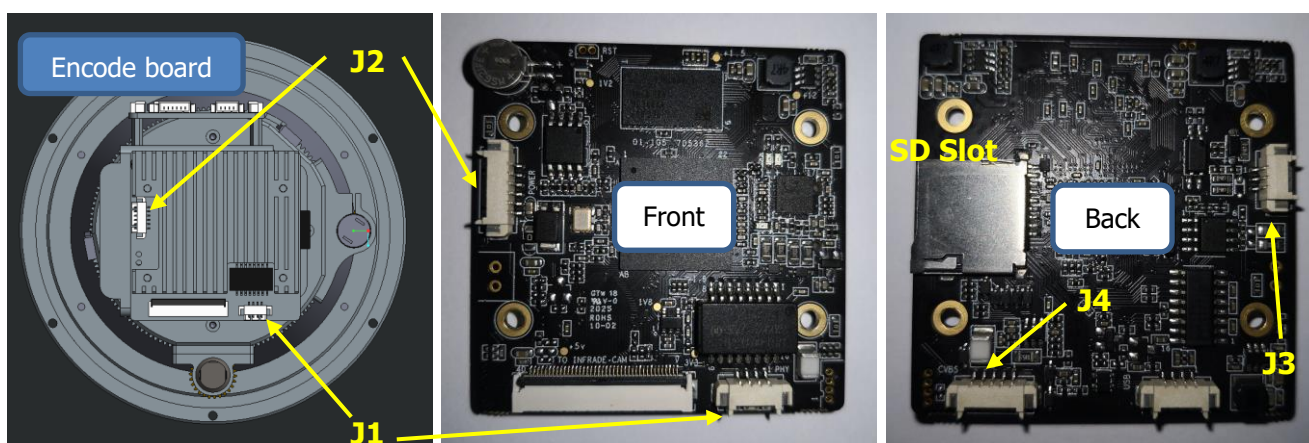
	Snapshot	JPEG	
	Pseudo color	Support: White Hot, Black Hot, Iron Red, Rainbow 1, Fulgurite, Rainbow 2, Fusion, Bluish Red, Amber, Arctic, Tint	
	Streams	Main Stream: 25fps@(1280x1024) Sub Stream: 25fps@(640x512), 25fps@(352x288)	
Network	Network Protocol	IPv4/IPv6, HTTP, HTTPS, Qos, FTP, SMTP, UPnP, DNS, DDNS, NTP, RTSP, RTP, TCP, UDP, DHCP, PPPoE, 802.1X, IP Filter	
	Interoperability	ONVIF Profile S, Open API, SDK	
	Max. Connection	20	
Intelligence	Normal Event	Motion Detection, Audio detection, IP address conflict, Illegal Access, Storage anomaly	
	IVS functions	Support intelligent functions: <b>Tripwire, Cross Fence Detection, Intrusion, Loitering Detection.</b>	
	Fire Detection	Support	
Interface	Ethernet	4PIN Ethernet port, 10M/100M self-adaption	
	Alarm In/Out	1/1	
	RS485	Support	
Resolution	50Hz: 25fps@(1280x1024)		
Storage Capabilities	Micro SD card, up to 256G		
Power Supply	DC 9~12V (Recommend: 12V)		
Operating Conditions	-20°C~+60°C/20% to 80%RH		
Storage Conditions	-40°C~+65°C/20% to 95%RH		
Dimensions(L*W*H)	Approx. 194mm*131mm*131mm	Approx. 141mm*51mm*61mm	Approx. 130mm*51mm*61mm
Weight	Approx. 1.1kg	Approx. 366g	Approx. 435g

### 3. Dimension





4. Interface Definition:



Type	PIN Number	PIN Name	Description
(1) 4PIN Internet Interface (J1)	1	ETHRX-	Adaptive Ethernet port, Internet RX-
	2	ETHRX+	Adaptive Ethernet port, Internet RX+
	3	ETHTX-	Adaptive Ethernet port, Internet TX-
	4	ETHTX+	Adaptive Ethernet port, Internet TX+
(2) 6PIN Power & UART Interface (J2)	1	DC_IN	DC12V±10%
	2	GND	GND
	3	485+	RS485+, Pelco Protocol
	4	485-	RS485-, Pelco Protocol
	5	RXD0	TTL 3.3V, Visca Protocol
	6	TXD0	TTL 3.3V, Visca Protocol
(3) 4PIN Alarm (J3)	1	Alarm_IN	Alarm In
	2	Alarm_OUT	Alarm Out
	3	Alarm_OUT_TC	Alarm Out
	4	NULL	NULL

(4) 5PIN Audio & Video Interface (J4)	1	AUDIO_OUT	Audio Out (Line Out)
	2	GND	GND
	3	AUDIO_IN	Audio In (Line In)
	4	GND	GND
	5	VIDEO_OUT	Video Out (CVBS)

---

**Hangzhou Savgood Technology Co., Ltd.**

Rm. 701, Xincheng Fazhan Building #1, No. 406 Xintiandi Street,  
Xiacheng District, Hangzhou City, 310004, China  
Tel: +86 - (571) 8803 8121  
Email: sales@savgood.com  
<http://www.savgood.com>  
<http://www.savgoodtech.com>

\*Design and specifications are subject to change without prior notification.  
© 2013 Savgood Technology Co., Ltd.