

SG-TCM12N2-M50350

- 1280x1024 Thermal Network Camera Module with 50~350mm Motorized Lens



1. Features

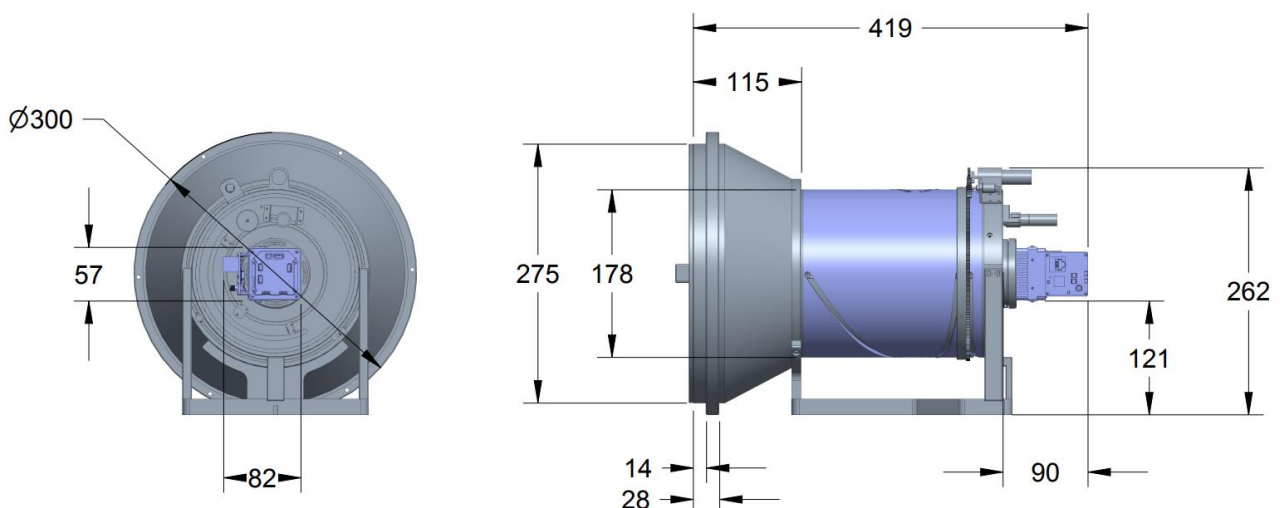
- > 1280x1024 resolution, high sensitivity sensor
- > 12um pixel pitch.
- > 50~350mm motorized thermal lens
- > Support fast auto focus
- > Support various IVS functions
- > Support Fire Detection
- > Support EIS function
- > Support Network output (HD-SDI dual output optional)

2. Specification

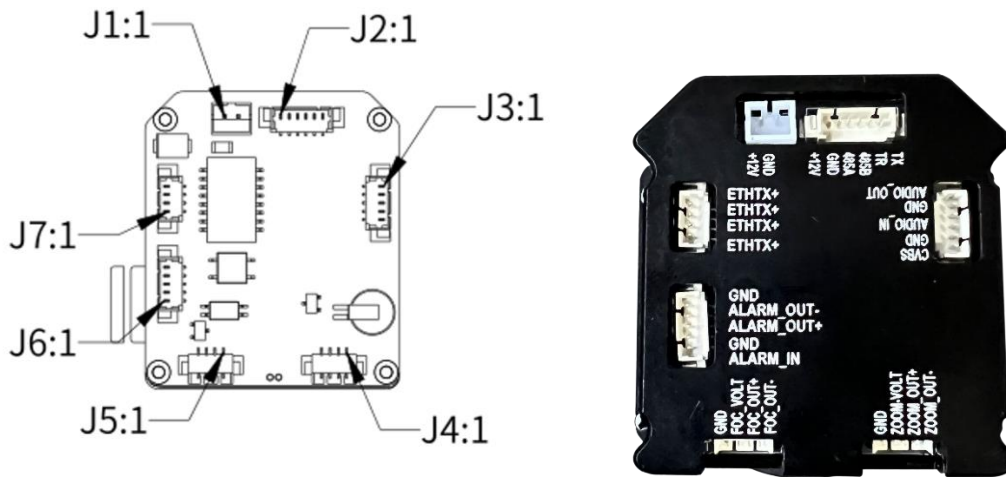
Model		SG-TCM12N2-M50350
Sensor	Image Sensor	Uncooled VOx microbolometer
	Resolution	1280 x 1024
	Pixel Size	12μm
	Spectral Range	8~14μm
	NETD	≤50mK@25°C, F#1.0
Lens	Focal Length	50~350mm motorized Lens
	Optical Zoom	7x
	Digital Zoom	4x
	F Value	F0.95~F1.4
	FOV	17.5°x14.0°~2.5°x2.0°

Video	Compression	H.265/H.264/H.264H
	Snapshot	JPEG
	Pseudo color	Support: White Hot, Black Hot, Iron Red, Rainbow 1, Fulgurite, Rainbow 2, Fusion, Bluish Red, Amber, Arctic, Tint
	Streams	Main Stream: 25fps@(1280x1024) Sub Stream: 25fps@(640x512), 25fps@(352x288)
Network	Network Protocol	IPv4/IPv6, HTTP, HTTPS, Qos, FTP, SMTP, UPnP, DNS, DDNS, NTP, RTSP, RTP, TCP, UDP, DHCP, PPPoE, 802.1X, IP Filter
	Interoperability	ONVIF Profile S, Open API, SDK
	Max. Connection	20
Intelligence	Normal Event	Motion Detection, Audio detection, IP address conflict, Illegal Access, Storage anomaly
	IVS functions	Support intelligent functions: Tripwire, Cross Fence Detection, Intrusion, Loitering Detection.
	Fire Detection	Support
Interface	Ethernet	4PIN Ethernet port, 10M/100M self-adaption
	HD-SDI(Optional)	1ch HD-SDI
	Alarm In/Out	1/1
	Audio In/Out	1/1
	RS485	Support
Resolution	50Hz: 25fps@(1280x1024)	
EIS	Support	
Storage Capabilities	Micro SD card, up to 256G	
Power Supply	DC 12V, 1A	
Operating Conditions	-20°C~+60°C/20% to 80%RH	
Storage Conditions	-40°C~+65°C/20% to 95%RH	
Dimensions(L*W*H)	Approx. 411mm*300mm*300mm	
Weight	Approx. 17kg	

3. Dimension



4. Interface Definition



Encoding board

Type	PIN Number	PIN Name	Description
J1_2pin Power (PH_2A, 2.0mm)	1	DC_IN	DC12V±10%
	2	GND	GND
J2_6pin Power & UART Interface (A1251-06A, 1.25mm)	1	DC_IN	DC12V±10%
	2	GND	GND
	3	485+	RS485+, Pelco Protocol
	4	485-	RS485-, Pelco Protocol
	5	RXD0	TTL 3.3V, Visca Protocol
	6	TXD0	TTL 3.3V, Visca Protocol
J3_5pin Audio (A1251-05A, 1.25mm)	1	AUDIO_OUT	Audio Out (Line Out)
	2	GND	GND
	3	AUDIO_IN	Audio In (Line In)
	4	GND	GND
	5	NC	NC
J4_Thermal Zoom	1~4	Zoom	Thermal Zoom
J5_Thermal Focus	1~4	Focus	Thermal Focus
J6_5pin Alarm (A1251-05A, 1.25mm)	1	Alarm_IN	Alarm In
	2	GND	GND
	3	Alarm_OUT+	Alarm Out
	4	Alarm_OUT-	Alarm Out
	5	GND	GND
J7_4pin Ethernet (A1251-04A, 1.25mm)	1	ETHRX-	Adaptive Ethernet port, Internet RX-
	2	ETHRX+	Adaptive Ethernet port, Internet RX+
	3	ETHTX-	Adaptive Ethernet port, Internet TX-
	4	ETHTX+	Adaptive Ethernet port, Internet TX+

Hangzhou Savgood Technology Co., Ltd.

Rm. 701, Xincheng Fazhan Building #1, No. 406 Xintiandi Street,
Xiacheng District, Hangzhou City, 310004, China
Tel: +86 - (571) 8803 8121
Email: sales@savgood.com
<http://www.savgood.com>
<http://www.savgoodtech.com>

*Design and specifications are subject to change without prior notification.
© 2013 Savgood Technology Co., Ltd.