

## SG-UAV2010NH-T25(T)

- Thermal + Optical Bi-spectrum Network Drone Camera

- 640x480 Thermal + 2MP 10x Zoom Starlight Network and HDMI output



### 1. Features

- > 1 Channel Thermal and Visible Video complex stream.
- > One single Main Control Chip, more stable than double IP version products.
- > Smart tracking on both Thermal camera (Night) and Visible camera (Day)
- > 3-axis stabilized Pan-Tilt, High precision:  $\pm 0.01^\circ$
- > Support GPS info Overlay.
- > Support smart Auto-Tracking
- > Support Ai functions, face recognition, person/vehicle recognition, deep learning functions
- > Support Network, S.BUS and Serial port control mode.

#### Visible Camera

- > 1/3" Sony Exmor CMOS Sensor.
- > Powerful 10x optical zoom (5.1~51mm Lens), 32x Digital Zoom.
- > Max. 2MP(1920x1080) Resolution
- > Support Electronic Defog, Electronic Image Stabilization

#### Thermal Camera

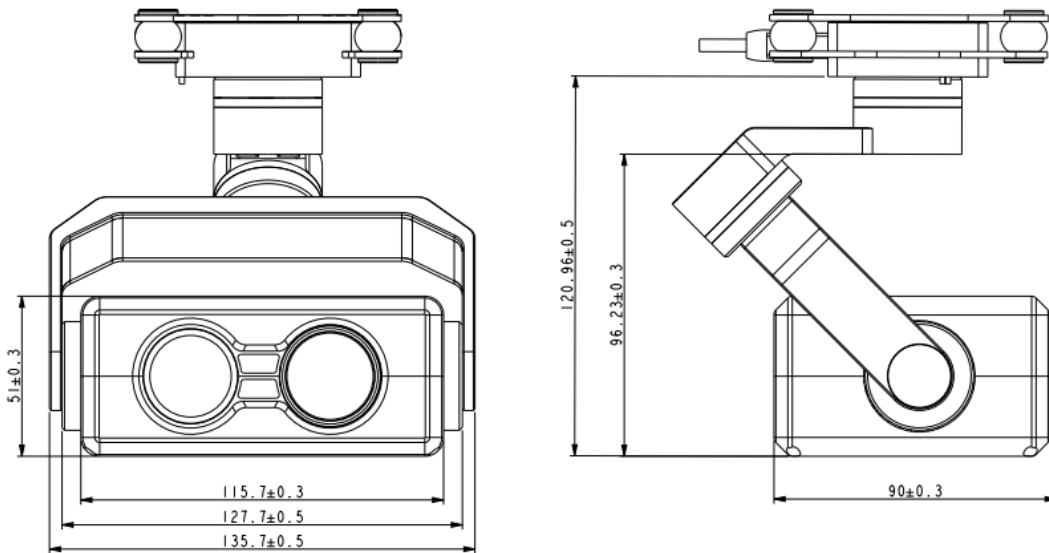
- > 640x480 Resolution, high sensitivity sensor
- > 17um Pixel pitch.
- > 25mm Fixed Thermal Lens
- > SG-UAV2010NH-T25T can support Temperature measurement function

### 2. Specification

Model		SG-UAV2010NH-T25	SG-UAV2010NH-T25T
<b>Thermal Camera</b>			
Sensor	Image Sensor	Uncooled aSi Microbolometer	
	Resolution	640 x 480	
	Pixel Size	17 $\mu$ m	
	Sensitivity	$\leq$ 50mk@25°C	
Lens	Focal Length	25mm, F1.0	
	Focus	Athermalized, Focus-free	
	Angle of View	24.5°x18.5°	
Temperature measurement	Measurement Range	N/A	-20°C~200°C (Expandable -20°C ~+500°C, 2 levels)
	Measurement Accuracy	N/A	$\pm$ 2 °C or $\pm$ 2% (Take large values)
	Measurement Tools	N/A	Display and track the Highest and Lowest temperature. Display the Center Point and Average temperature; Save global temperature data, and point temperature measurement.
<b>Visible Camera</b>			
Sensor	Image Sensor	1/3" Sony Starvis progressive scan CMOS	
	Effective Pixels	Approx. 2.12 Megapixel	
	Resolution	1920x1080	
Lens	Focal Length	5.1mm~51mm, 10x Optical Zoom	
	Aperture	F1.6~F1.8	
	Field of View	H: 54°~4.9°	
Minimum Illumination		Color: 0.05Lux/F1.6; B/W: 0.01Lux/F1.6	
Ai Functions		Face Recognition, Person/Vehicle recognition, Deep Learning functions	
<b>Video</b>			
Video Output		Network and HDMI	
Video Stream		25fps@1920x1080	
Image Mode		Visible, Thermal and PIP	
Storage		TF card (128 GB), could save video(.avi) and picture(.jpeg)	
<b>Pan-Tilt Gimbal</b>			
Angular Vibration Range		$\pm$ 0.01°	
Pitch		+90°~-15°	
Roll		$\pm$ 40°	
Yaw		$\pm$ 300°	
Stabilization		Support	
Control Mode		Network, S.BUS and TTL Serial port control	

Auto Tracking	Support
Tracking Mode	Support network protocol and TTL serial protocol
<b>Condition</b>	
Operating Conditions	-20°C~+60°C/20% to 80%RH
Storage Conditions	-40°C~+80°C/20% to 95%RH
Working Voltage	DC 12V~24V (3s~6s)
Working Current	Dynamic: 2000mA(@12V), Static: 500mA(@12V)
Dimensions(L*W*H)	Approx. 120mm*136mm*151mm
Weight	Approx. 780g

### 3. Dimension



#### Hangzhou Savgood Technology Co., Ltd.

Rm. 701, Xincheng Fazhan Building #1, No. 406 Xintiandi Street,  
Xiacheng District, Hangzhou City, 310004, China

Tel: +86 - (571) 8803 8121

Email: sales@savgood.com

<http://www.savgood.com>

<http://www.savgoodtech.com>

\*Design and specifications are subject to change without prior notification.

© 2013 Savgood Technology Co., Ltd.