

SG-UAV8030NS

- 4K/8Megapixel 30x Zoom Drone Camera with Gimbal



1. Features

- > 1/1.8" 8Megapixel COMS Sensor.
- > Powerful 30x optical zoom (6mm~180mm), 16x Digital Zoom.
- > Max. 8MP(3840x2160) Resolution
- > Support various IVS functions
- > Support Defog, Electronic Image Stabilization
- > 3-Axis stabilized Pan-Tilt, High precision: 0.008°
- > Support GPS info Overlay.
- > Support smart Auto-Tracking
- > Quick Assembly and Disassembly, Open SDK.
- > **With SigmaStar high performance chip.**

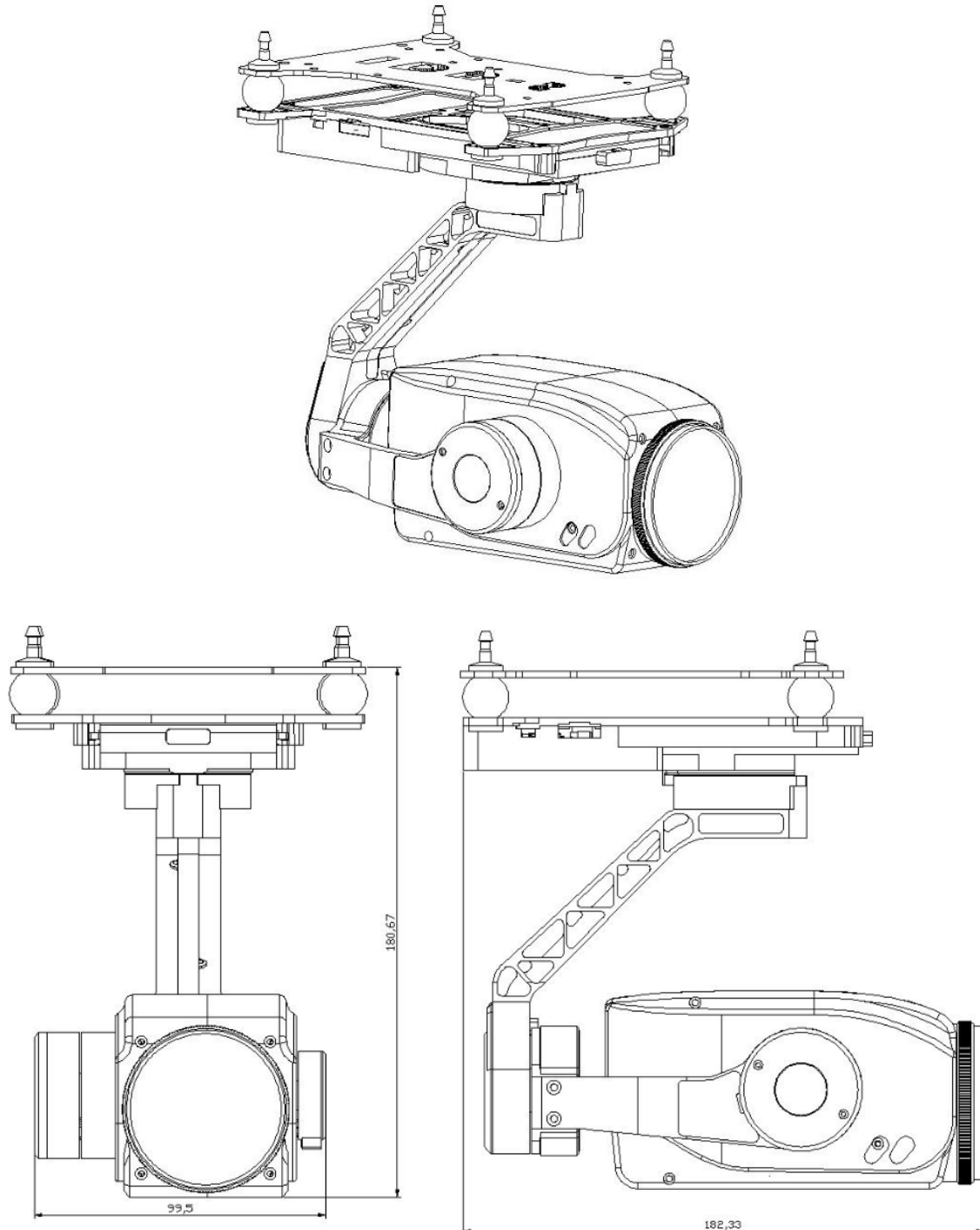
2. Specification

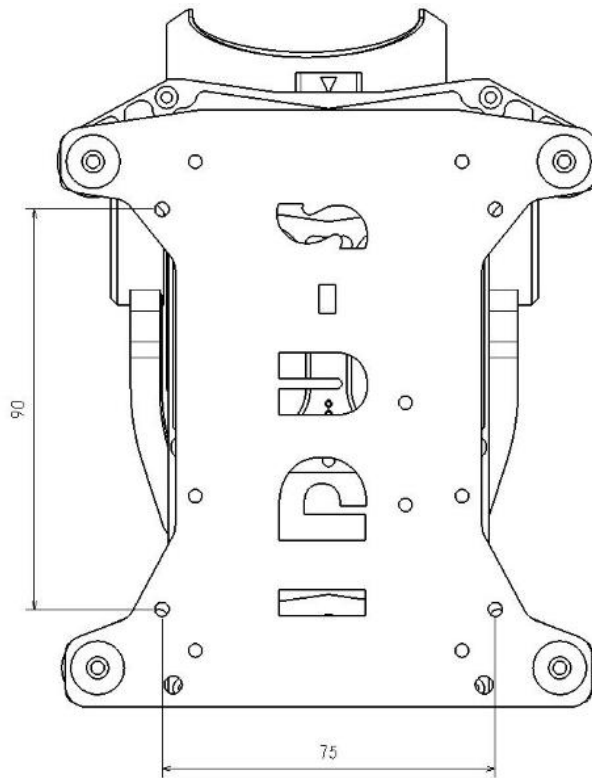
Model		SG-UAV8030NS			
Sensor	Image Sensor	1/1.8" Sony Starvis progressive scan CMOS			
	Effective Pixels	Approx. 8.42 Megapixel			
Lens	Focal Length	6mm~180mm, 30x Optical Zoom			
	Aperture	F1.5~F4.3			
	Field of View	H: 65.2°~2.4°, V: 39.5°~1.3°, D: 72.5°~2.8°			
	Close Focus Distance	1m~2m (Wide~Tele)			
	Zoom Speed	Approx. 3.5s (Optical Wide~Tele)			
	DORI Distance (Human)	Detect	Observe	Recognize	Identify
	3,666m	1,454m	733m	366m	
Video	Compression	H.265/H.264/H.264H/MJPEG			

	Streaming Capability	3 streams
	Resolution	50Hz: 25fps@8Mp(3840x2160) 60Hz: 30fps@8Mp(3840x2160)
	Video Bit Rate	32kbps~16Mbps
	Audio	AAC / MP2L2
Network	Storage	TF card (256 GB), FTP, NAS
	Network Protocol	Onvif, HTTP, HTTPS, IPv4, IPv6, RTSP, DDNS, RTP, TCP, UDP
	Multicast	Support
IVS	Tripwire, Cross Fence Detection, Intrusion, Abandoned Object, Fast-Moving, Parking Detection, Crowd Gathering Estimation, Missing Object, Loitering Detection.	
S/N Ratio	≥55dB (AGC Off, Weight ON)	
Minimum Illumination	Color: 0.01Lux/F1.5; B/W: 0.001Lux/F1.5	
Noise Reduction	2D/3D	
Exposure Mode	Auto, Aperture Priority, Shutter Priority, Gain Priority, Manual	
Exposure Compensation	Support	
Shutter Speed	1/1~1/30000s	
BLC	Support	
HLC	Support	
WDR	Support	
White Balance	Auto, Manual, Indoor, Outdoor, ATW, Sodium lamp, Street lamp, Natural, One Push	
Day/Night	Electrical, ICR(Auto/Manual)	
Focus Mode	Auto, Manual, Semi Auto, Fast Auto, Fast Semi Auto, One Push AF	
Electronic Defog	Support	
Flip	Support	
EIS	Support	
Digital Zoom	16x	
One Key to 1x Image	Support	
Pan-Tilt Gimbal		
Angular Vibration Range	±0.008°	
Mount	Detachable	
Controllable Range	Pitch: +70°~-90°, Yaw: ±160°	
Mechanical Range	Pitch: +75°~-100°, Yaw: ±175°, Roll:+90°~-50°	
Max. Control Speed	Pitch: ±120°/s, Yaw: ±180°/s	
Auto-tracking	Support	
Conditions		
Operating Conditions	(-10°C~+46°C/20% to 80%RH)	
Storage Conditions	(-20°C~+70°C/20% to 95%RH)	
Power Supply	DC 12V~25V	

Power Consumption	8.4W
Dimensions(L*W*H)	Approx. 175mm*100mm*162mm
Weight	Approx. 842g

3. Dimension





Hangzhou Savgood Technology Co., Ltd.

Rm. 701, Xincheng Fazhan Building #1, No. 406 Xintiandi Street,
Xiacheng District, Hangzhou City, 310004, China
Tel: +86 - (571) 8803 8121
Email: sales@savgood.com
<http://www.savgood.com>
<http://www.savgoodtech.com>

*Design and specifications are subject to change without prior notification.
© 2013 Savgood Technology Co., Ltd.