

SG-ZCM2030NDKL

- 2Megapixel 30x Zoom Starlight NDAA Network and Digital Dual Output Camera Module



1. Features

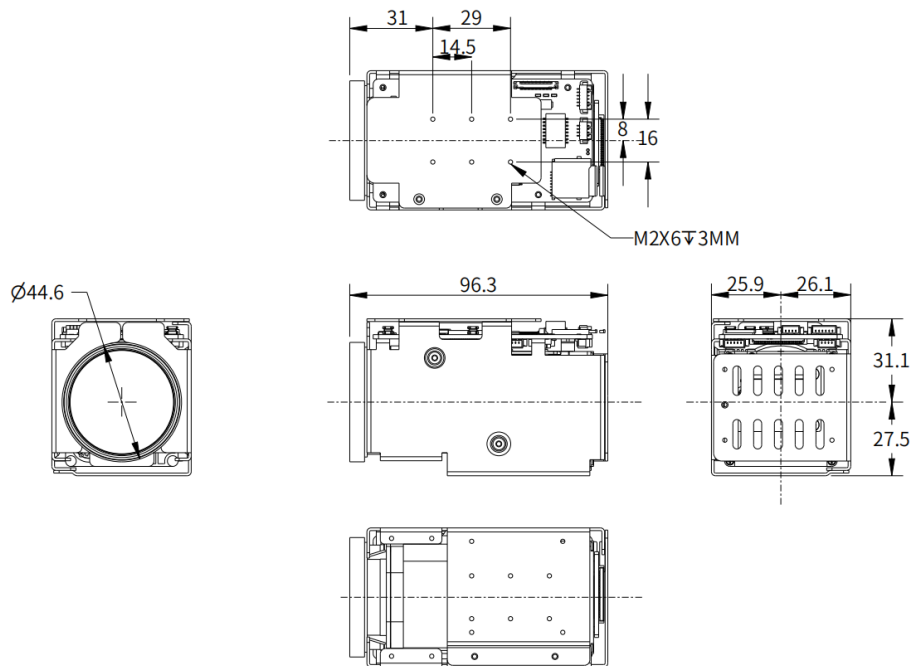
- > 1/2.8" Sony CMOS Sensor.
- > Powerful 30x optical zoom (4.7mm~141mm).
- > Max. 2Mp(1920x1080) Resolution
- > Support various IVS functions
- > Support EIS and Electronic Defog
- > **Support LVDS digital video output synchronously.**
- > **With NOVATEK high performance chip**

2. Specification

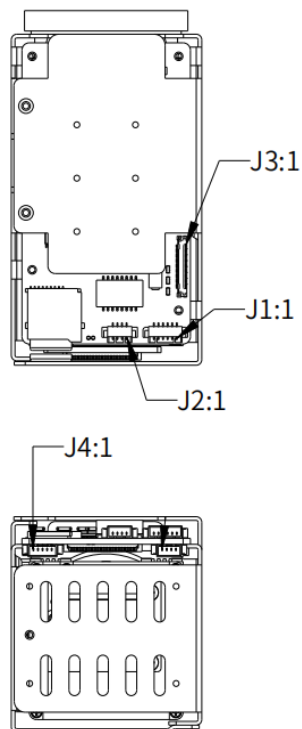
Model		SG-ZCM2030NDKL			
Sensor	Image Sensor	1/2.8" Sony Starvis progressive scan CMOS			
	Effective Pixels	Approx. 2.13 Megapixel			
Lens	Focal Length	4.7mm~141mm, 30x Optical Zoom			
	Aperture	F1.5~F4.0			
	Field of View	H: 61.2°~2.2°, V: 36.8°~1.2°, D: 68.4°~2.5°			
	Close Focus Distance	0.1m~1.5m (Wide~Tele)			
	Zoom Speed	Approx.3.5s (Optical Wide~Tele)			
	DORI Distance (Human)	Detect	Observe	Recognize	Identify
	1,999m	793m	399m	199m	
Video	Compression	H.265/H.264/H.264H/MJPEG			
	Streaming Capability	3 streams			
	Resolution	50Hz: 25fps@2MP(1920x1080), 25fps@1MP(1280x720) 60Hz: 30fps@2MP(1920x1080), 30fps@1MP(1280x720)			
	Video Bit Rate	32kbps~16Mbps			

	Audio	AAC / MP2L2
Network	Storage	TF card (256 GB), FTP, NAS
	Network Protocol	Onvif, HTTP, HTTPS, IPv4, IPv6, RTSP, DDNS, RTP, TCP, UDP
	Multicast	Support
Firmware Upgrade (LVDS)		Only can upgrade the firmware via Network port.
General Events		Motion, Tamper, SD Card, Network
IVS		Tripwire, Cross Fence Detection, Intrusion, Abandoned Object, Fast-Moving, Parking Detection, Crowd Gathering Estimation, Missing Object, Loitering Detection.
S/N Ratio		≥55dB (AGC Off, Weight ON)
Minimum Illumination		Color: 0.005Lux/F1.5; B/W: 0.0005Lux/F1.5
Noise Reduction		2D/3D
Exposure Mode		Auto, Aperture Priority, Shutter Priority, Gain Priority, Manual
Exposure Compensation		Support
Shutter Speed		1/1~1/30000s
BLC		Support
HLC		Support
WDR		Support
White Balance		Auto, Manual, Indoor, Outdoor, ATW, Sodium lamp, Street lamp, Natural, One Push
Day/Night		Electrical, ICR(Auto/Manual)
Focus Mode		Auto, Manual, Semi Auto, Fast Auto, Fast Semi Auto, One Push AF
Electronic Defog		Support
Flip		Support
EIS		Support
Digital Zoom		16x
External Control		TTL
Interface		4pin Ethernet port, 6pin Power & UART port, 5pin Audio port. 30pin LVDS
Communication Protocol		SONY VISCA, Pelco D/P
Operating Conditions		-30°C~+60°C/20% to 80%RH
Storage Conditions		-40°C~+70°C/20% to 95%RH
Power Supply		DC 12V
Power Consumption		Static power: 2.5W, Sports power: 4.5W
Dimensions(L*W*H)		96.3mm*52mm*58.6mm
Weight		300g

3. Dimension



4. Interface Definition



Network Interface

Type	PIN Number	PIN Name	Description
J2_4pin Ethernet Interface	1	ETHRX-	Adaptive Ethernet port, Internet RX-
	2	ETHRX+	Adaptive Ethernet port, Internet RX+
	3	ETHTX-	Adaptive Ethernet port, Internet TX-
	4	ETHTX+	Adaptive Ethernet port, Internet TX+
J1_6pin Power & UART Interface	1	DC_IN	DC12V
	2	GND	GND

	3	RXD1	TTL Level 3.3V, Pelco Protocol
	4	TXD1	TTL Level 3.3V, Pelco Protocol
	5	RXD0	TTL Level 3.3V, Visca Protocol
	6	TXD0	TTL Level 3.3V, Visca Protocol
J4_5pin Audio Interface	1	AUDIO_OUT	Audio Out (Line Out)
	2	GND	GND
	3	AUDIO_IN	Audio In (Line In)
	4	GND	GND
	5	NC	NC

LVDS Interface

Port	Number	PIN Name	Description
J3_30pin LVDS Interface (Similar to SONY 30pin Digital Interface)	1	NC	NC
	2	NC	
	3	NC	
	4	NC	
	5	NC	
	6	NC	
	7	NC	
	8	NC	
	9	GND	GND
	10	GND	
	11	GND	
	12	GND	
	13	DC_IN	DC power input (DC+7V~+12V)
	14	DC_IN	
	15	DC_IN	
	16	DC_IN	
	17	DC_IN	
	18	UART1_TX	TTL level 3.3V, VISCA protocol, the same to TXD0 on J3_6pin Port. But cannot connect at the same time.
	19	UART1_RX	TTL level 3.3V, VISCA protocol, the same to RXD0 on J3_6pin Port. But cannot connect at the same time.
	20	GND	GND
	21	TXOUT0-	
	22	TXOUT0+	
	23	TXOUT1-	
	24	TXOUT1+	
	25	TXOUT2-	
	26	TXOUT2+	
	27	TXOUTCLK-	
	28	TXOUTCLK+	
	29	TXOUT3-	
	30	TXOUT3+	

Hangzhou Savgood Technology Co., Ltd.

Rm. 701, Xincheng Fazhan Building #1, No. 406 Xintiandi Street,
Xiacheng District, Hangzhou City, 310004, China
Tel: +86 - (571) 8803 8121
Email: sales@savgood.com
<http://www.savgood.com>

<http://www.savgoodtech.com>

*Design and specifications are subject to change without prior notification.
© 2013 Savgood Technology Co., Ltd.