

SG-ZCM2030NDKL(NUKL)

- 2Megapixel 30x Zoom Starlight NDAA Network and Digital (USB) Dual Output Camera Module



1. Features

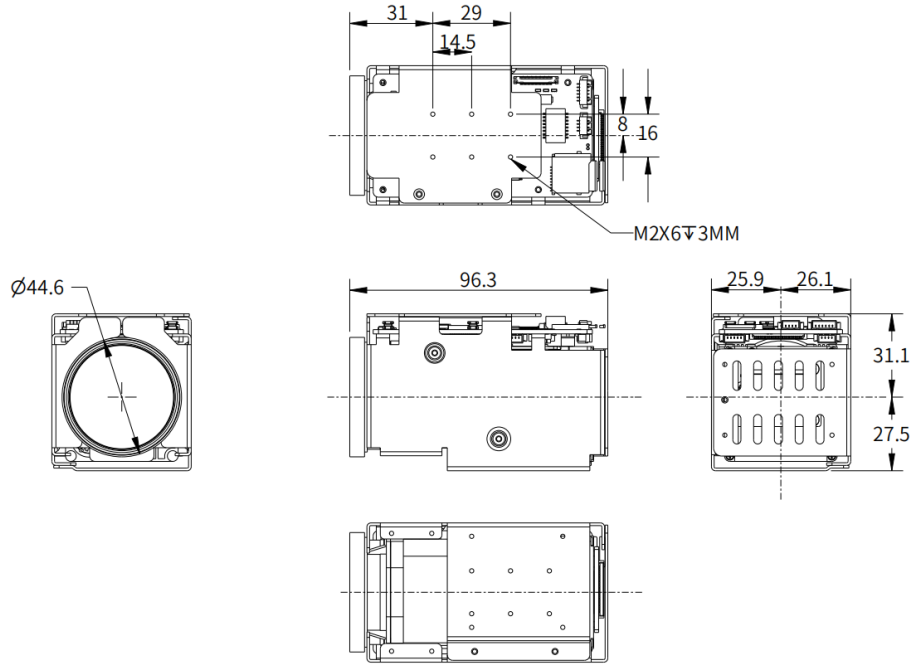
- > 1/2.8" Sony CMOS Sensor.
- > Powerful 30x optical zoom (4.7mm~141mm).
- > Max. 2Mp(1920x1080) Resolution
- > Support various IVS functions
- > Support EIS and Electronic Defog
- > **-NDKL version support LVDS digital video output synchronously.**
- > **-NUKL version support 4pin USB video stream output synchronously.**
- > With NOVATEK high performance chip

2. Specification

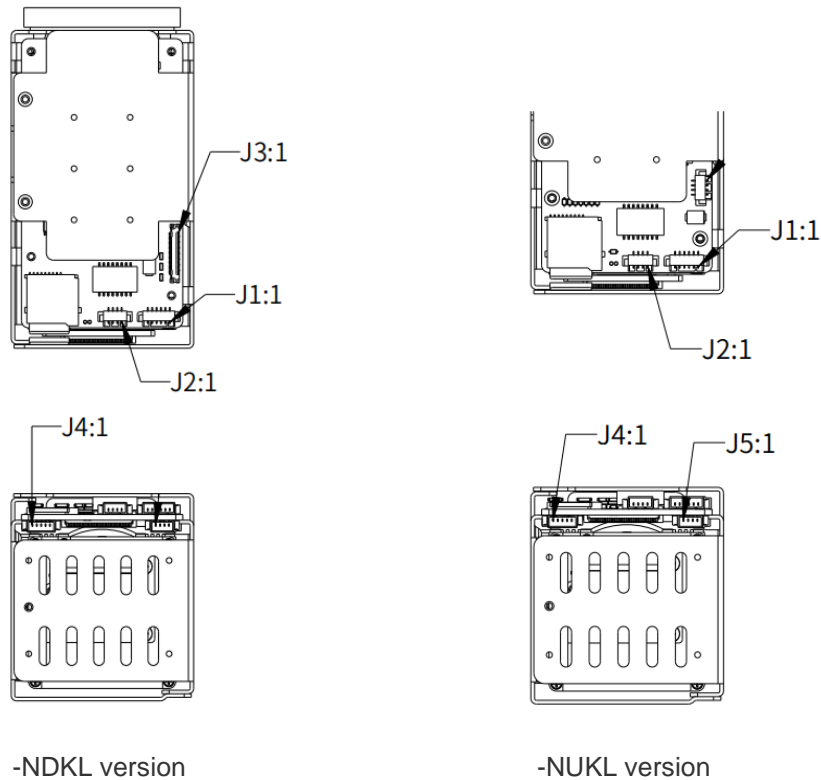
Model		SG-ZCM2030NDKL		SG-ZCM2030NUKL	
Sensor	Image Sensor	1/2.8" Sony Starvis progressive scan CMOS			
	Effective Pixels	Approx. 2.13 Megapixel			
Lens	Focal Length	4.7mm~141mm, 30x Optical Zoom			
	Aperture	F1.5~F4.0			
	Field of View	H: 61.2°~2.2°, V: 36.8°~1.2°, D: 68.4°~2.5°			
	Close Focus Distance	0.1m~1.5m (Wide~Tele)			
	Zoom Speed	Approx.3.5s (Optical Wide~Tele)			
	DORI Distance (Human)	Detect	Observe	Recognize	Identify
	1,999m	793m	399m	199m	
Network Video	Compression	H.265/H.264/H.264H/MJPEG			
	Streaming Capability	3 streams			

	Resolution	50Hz: 25fps@2MP(1920×1080), 25fps@1MP(1280×720) 60Hz: 30fps@2MP(1920×1080), 30fps@1MP(1280×720)	
	Video Bit Rate	32kbps~16Mbps	
	Audio	AAC / MP2L2	
Network	Storage	TF card (256 GB), FTP, NAS	
	Network Protocol	Onvif, HTTP, HTTPS, IPv4, IPv6, RTSP, DDNS, RTP, TCP, UDP	
	Multicast	Support	
Firmware Upgrade (LVDS/USB)		Only can upgrade the firmware via Network port.	
USB video Compression		N/A	H264/MJPEG (Can set via UVC protocol)
General Events		Motion, Tamper, SD Card, Network	
IVS		Tripwire, Cross Fence Detection, Intrusion, Abandoned Object, Fast-Moving, Parking Detection, Crowd Gathering Estimation, Missing Object, Loitering Detection.	
S/N Ratio		≥55dB (AGC Off, Weight ON)	
Minimum Illumination		Color: 0.005Lux/F1.5; B/W: 0.0005Lux/F1.5	
Noise Reduction		2D/3D	
Exposure Mode		Auto, Aperture Priority, Shutter Priority, Gain Priority, Manual	
Exposure Compensation		Support	
Shutter Speed		1/1~1/30000s	
BLC		Support	
HLC		Support	
WDR		Support	
White Balance		Auto, Manual, Indoor, Outdoor, ATW, Sodium lamp, Street lamp, Natural, One Push	
Day/Night		Electrical, ICR(Auto/Manual)	
Focus Mode		Auto, Manual, Semi Auto, Fast Auto, Fast Semi Auto, One Push AF	
Electronic Defog		Support	
Flip		Support	
EIS		Support	
Digital Zoom		16x	
External Control		TTL	
Interface		4pin Ethernet port, 6pin Power & UART port, 5pin Audio port. 30pin LVDS	4pin Ethernet port, 6pin Power & UART port, 5pin Audio port. 4pin USB
Communication Protocol		SONY VISCA, Pelco D/P	
Operating Conditions		-30°C~+60°C/20% to 80%RH	
Storage Conditions		-40°C~+70°C/20% to 95%RH	
Power Supply		DC 12V	
Power Consumption		Static power: 2.5W, Sports power: 4.5W	
Dimensions(L*W*H)		96.3mm*52mm*58.6mm	
Weight		300g	

3. Dimension



4. Interface Definition



Network Interface

Type	PIN Number	PIN Name	Description
J2_4pin Ethernet Interface	1	ETHRX-	Adaptive Ethernet port, Internet RX-
	2	ETHRX+	Adaptive Ethernet port, Internet RX+
	3	ETHTX-	Adaptive Ethernet port, Internet TX-
	4	ETHTX+	Adaptive Ethernet port, Internet TX+

J1_6pin Power & UART Interface	1	DC_IN	DC12V
	2	GND	GND
	3	RXD1	TTL Level 3.3V, Pelco Protocol
	4	TXD1	TTL Level 3.3V, Pelco Protocol
	5	RXD0	TTL Level 3.3V, Visca Protocol
	6	TXD0	TTL Level 3.3V, Visca Protocol
J4_5pin Audio Interface	1	AUDIO_OUT	Audio Out (Line Out)
	2	GND	GND
	3	AUDIO_IN	Audio In (Line In)
	4	GND	GND
	5	NC	NC

USB Interface (-NUKL version)

Type	PIN Number	PIN Name	Description
J5_4pin USB	1	+VDD	+VDD
	2	DP	DP
	3	DM	DM
	4	GND	GND

LVDS Interface (-NDKL version)

Port	Number	PIN Name	Description	
J3_30pin LVDS Interface (Similar to SONY 30pin Digital Interface)	1	NC	NC	
	2	NC		
	3	NC		
	4	NC		
	5	NC		
	6	NC		
	7	NC		
	8	NC		
	GND	9	GND	GND
		10	GND	
		11	GND	
		12	GND	
	DC power input (DC+7V~+12V)	13	DC_IN	DC power input (DC+7V~+12V)
		14	DC_IN	
		15	DC_IN	
		16	DC_IN	
		17	DC_IN	
	TTL level 3.3V, VISCA protocol, the same to TXD0 on J3_6pin Port. But cannot connect at the same time.	18	UART1_TX	
	TTL level 3.3V, VISCA protocol, the same to RXD0 on J3_6pin Port. But cannot connect at the same time.	19	UART1_RX	
	GND	20	GND	GND
		21	TXOUT0-	
		22	TXOUT0+	
		23	TXOUT1-	
		24	TXOUT1+	
		25	TXOUT2-	
		26	TXOUT2+	

	27	TXOUTCLK-	
	28	TXOUTCLK+	
	29	TXOUT3-	
	30	TXOUT3+	

Hangzhou Savgood Technology Co., Ltd.

Rm. 1201, Xincheng Fazhan Building #1, No. 406 Xintiandi Street,
Xiacheng District, Hangzhou City, 310004, China

Tel: +86 - (571) 8803 8121

Email: sales@savgood.com

<http://www.savgood.com>

<http://www.savgoodtech.com>

*Design and specifications are subject to change without prior notification.

© 2013 Savgood Technology Co., Ltd.