

SG-ZCM2035D-O

- 2Megapixel 35x Zoom Starlight Digital Camera Module



1. Features

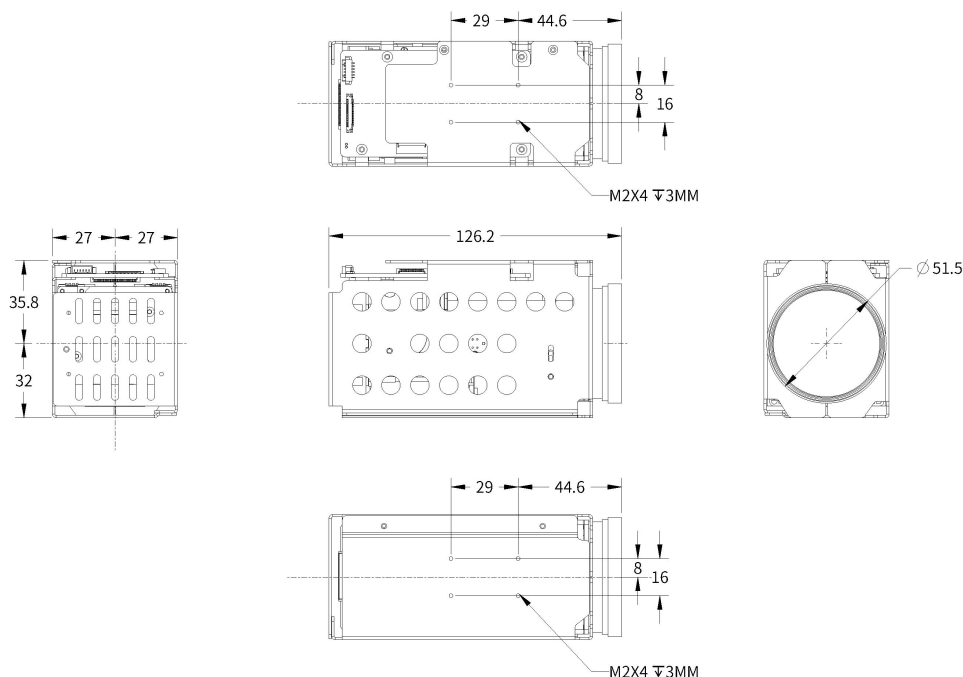
- > 1/2" Sony Exmor CMOS Sensor.
- > Powerful 35x optical zoom (6~210mm).
- > Max. 2Mp(1920x1080) Resolution
- > Support Electronic Defog and Optical Defog
- > Accurate focus, high speed, great image effects, precise color reproduction, excellent night vision with low light effects.

2. Specification

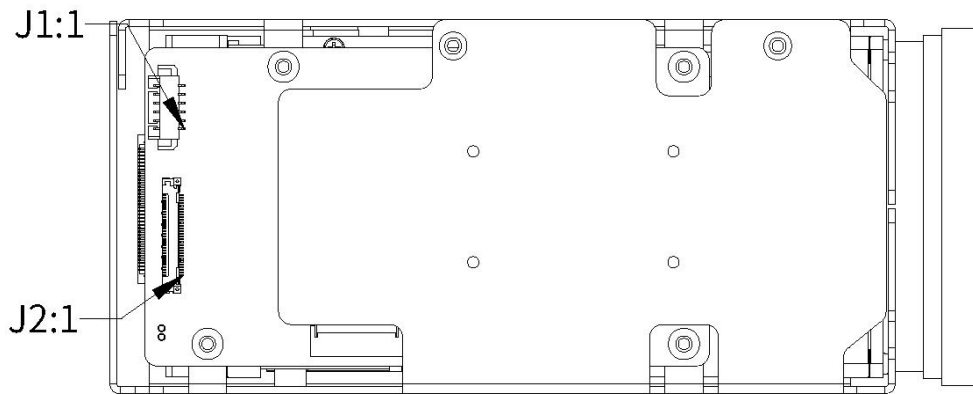
Model		SG-ZCM2035D-O			
Sensor	Image Sensor	1/2" Sony Starvis progressive scan CMOS			
	Effective Pixels	Approx. 2.13 Megapixel			
Lens	Focal Length	6mm~210mm, 35x Optical Zoom			
	Aperture	F1.5~F4.8			
	Field of View	H: 61.0°~1.9°, V: 37.2°~1.1°, D: 69°~2.2°			
	Close Focus Distance	1m~1.5m (Wide~Tele)			
	Zoom Speed	Approx. 4 (Optical Wide~Tele)			
	DORI Distance (Human)	Detect	Observe	Recognize	Identify
	2,315m	918m	463m	231m	
Resolution	50Hz: 25fps@2Mp(1920×1080) 60Hz: 30fps@2Mp(1920×1080)				
S/N Ratio	≥55dB (AGC Off, Weight ON)				
Minimum Illumination	Color: 0.001Lux/F1.5; B/W: 0.0001Lux@F1.5				
Noise Reduction	2D/3D				
Exposure Mode	Auto, Aperture Priority, Shutter Priority, Gain Priority, Manual				

Exposure Compensation	Support
Shutter Speed	1/1~1/30000s
BLC	Support
HLC	Support
WDR	Support
White Balance	Auto, Manual, Indoor, Outdoor, ATW, Sodium lamp, Street lamp, Natural, One Push
Day/Night	Electrical, ICR(Auto/Manual)
Focus Mode	Auto, Manual, Semi Auto, Fast Auto, Fast Semi Auto, One Push AF
Electronic Defog	Support
Optical Defog	Support, 750nm~1100nm channel is Optical Defog
Flip	Support
EIS	Support
Digital Zoom	16x
External Control	TTL
Interface	6pin Power & UART port,30pin LVDS
Communication Protocol	SONY VISCA, Pleco D/P
Operating Conditions	(-30°C~+60°C/20% to 80%RH)
Storage Conditions	(-40°C~+70°C/20% to 95%RH)
Power Supply	DC 12V
Power Consumption	Static power: 4.5W, Sports power: 5.5W
Dimensions(L*W*H)	126mm*54mm*68mm
Weight	410g

3. Dimension



4. Interface Definition



Network Interface

Type	PIN Number	PIN Name	Description
J1_6pin Power & UART Interface	1	DC_IN	DC12V
	2	GND	GND
	3	NC	NC
	4	NC	
	5	RXD0	TTL Level 3.3V, Visca Protocol
	6	TXD0	TTL Level 3.3V, Visca Protocol

LVDS Interface

Port	Number	PIN Name	Description
J2_30pin LVDS Interface (Similar to SONY 30pin Digital Interface)	1	NC	NC
	2	NC	
	3	NC	
	4	NC	
	5	NC	
	6	NC	
	7	NC	
	8	NC	
	9	GND	GND
	10	GND	
	11	GND	
	12	GND	
	13	DC_IN	DC power input (DC+7V~+12V)
	14	DC_IN	
	15	DC_IN	
	16	DC_IN	
	17	DC_IN	
	18	UART1_TX	TTL level 3.3V, VISCA protocol, the same to TXD0 on J1_6pin Port. But cannot connect at the same time.
	19	UART1_RX	TTL level 3.3V, VISCA protocol, the same to RXD0 on J1_6pin Port. But cannot connect at the same time.
	20	GND	GND
	21	TXOUT0-	

22	TXOUT0+	
23	TXOUT1-	
24	TXOUT1+	
25	TXOUT2-	
26	TXOUT2+	
27	TXOUTCLK-	
28	TXOUTCLK+	
29	TXOUT3-	
30	TXOUT3+	

Hangzhou Savgood Technology Co., Ltd.

Rm. 701, Xincheng Fazhan Building #1, No. 406 Xintiandi Street,
Xiacheng District, Hangzhou City, 310004, China

Tel: +86 - (571) 8803 8121

Email: sales@savgood.com

<http://www.savgood.com>

<http://www.savgoodtech.com>

*Design and specifications are subject to change without prior notification.

© 2013 Savgood Technology Co., Ltd.