

## SG-ZCM2044NK-O

- 2Megapixel 44x Zoom Starlight NDAA Network Camera Module



### 1. Features

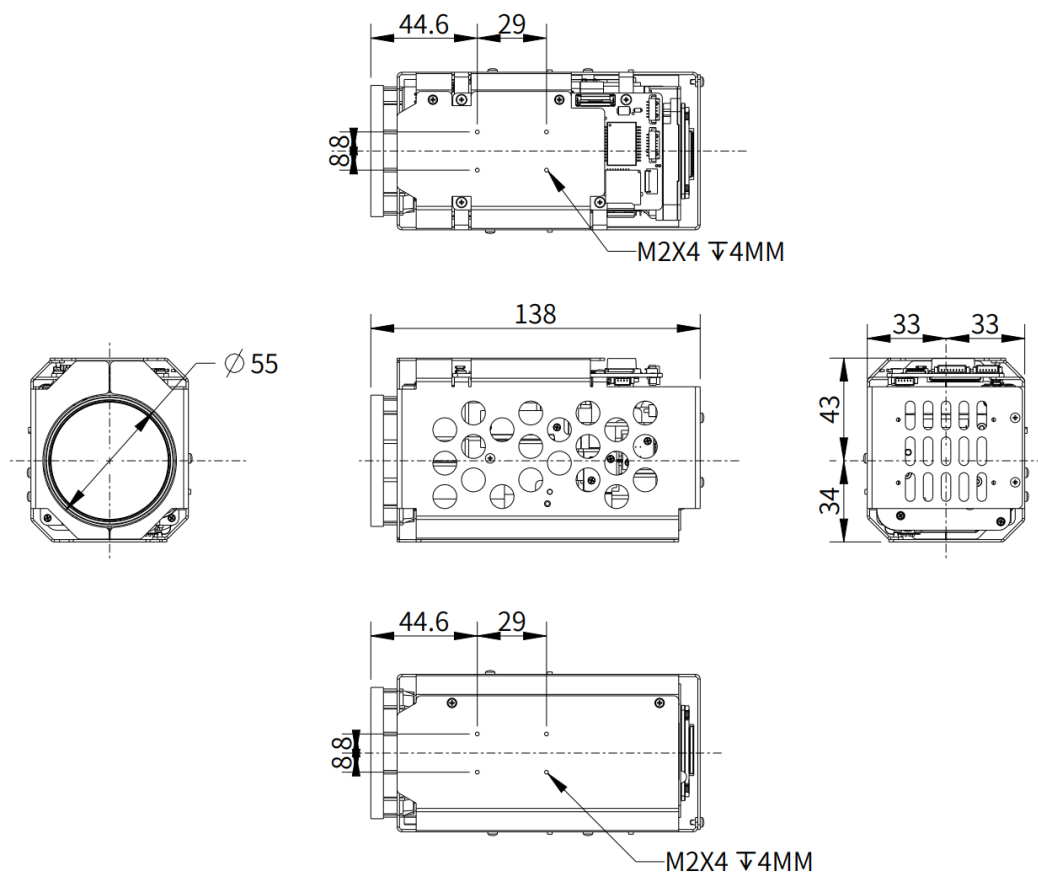
- > 1/1.8" Sony CMOS Sensor.
- > Powerful 44x optical zoom (6.8mm~300mm).
- > Max. 2MP(1920x1080) Resolution
- > Support various IVS functions
- > Support Electronic Defog and Optical Defog
- > **With NOVATEK high performance chip**

### 2. Specification

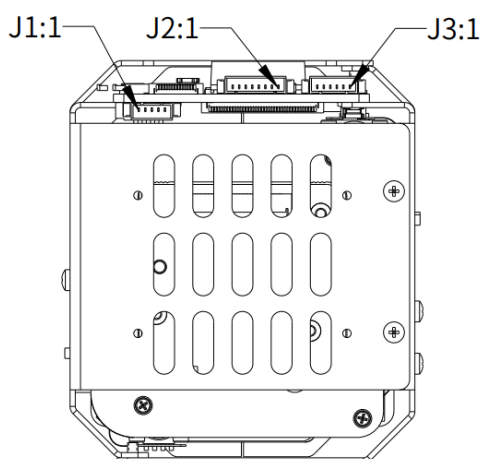
Model		SG-ZCM2044NK-O			
Sensor	Image Sensor	1/1.8" Sony Starvis progressive scan CMOS			
	Effective Pixels	Approx. 4.17 Megapixel			
Lens	Focal Length	6.8mm~300mm, 42x Optical Zoom			
	Aperture	F1.5~F4.8			
	Field of View	H: 59.6°~1.5°, V: 35.7°~0.8°, D: 66.7°~1.7°			
	Close Focus Distance	1.0m~1.5m (Wide~Tele)			
	Zoom Speed	Approx. 4s (Optical Wide~Tele)			
	DORI Distance (Human)	Detect	Observe	Recognize	Identify
	2,933m	1,164m	586m	293m	
Video	Compression	H.265/H.264/H.264H/MJPEG			
	Streaming Capability	3 streams			
	Resolution	50Hz: 50/25fps@2MP(1920x1080) 60Hz: 60/30fps@2MP(1920x1080)			

	Video Bit Rate	32kbps~16Mbps
	Audio	AAC / MP2L2
Network	Storage	TF card (256 GB), FTP, NAS
	Network Protocol	Onvif, HTTP, HTTPS, IPv4, IPv6, RTSP, DDNS, RTP, TCP, UDP
	Multicast	Support
General Events		Motion, Tamper, SD Card, Network
IVS		Tripwire, Cross Fence Detection, Intrusion, Abandoned Object, Fast-Moving, Parking Detection, Crowd Gathering Estimation, Missing Object, Loitering Detection.
S/N Ratio		≥55dB (AGC Off, Weight ON)
Minimum Illumination		Color: 0.005Lux/F1.5; B/W: 0.0005Lux/F1.5
Noise Reduction		2D/3D
Exposure Mode		Auto, Aperture Priority, Shutter Priority, Gain Priority, Manual
Exposure Compensation		Support
Shutter Speed		1/3~1/30000s
BLC		Support
HLC		Support
WDR		Support
White Balance		Auto, Manual, Indoor, Outdoor, ATW, Sodium lamp, Street lamp, Natural, One Push
Day/Night		Electrical, ICR(Auto/Manual)
Focus Mode		Auto, Manual, Semi Auto, Fast Auto, Fast Semi Auto, One Push AF
Electronic Defog		Support
Optical Defog		Support, 750nm~1100nm channel is Optical Defog
Flip		Support
EIS		N/A
Digital Zoom		16x
External Control		TTL
Interface		8 pin Ethernet port, 6pin Power & UART port, 5pin Audio port.
Communication Protocol		SONY VISCA, Pleco D/P
Operating Conditions		-30°C~+60°C/20% to 80%RH
Storage Conditions		-40°C~+70°C/20% to 95%RH
Power Supply		DC 12V
Power Consumption		Static power: 4.5W, Sports power: 5.5W
Dimensions(L*W*H)		137.6mm*66.3mm*76.2mm
Weight		619g

### 3. Dimension



#### 4. Interface Definition



#### Network Interface

Type	PIN Number	PIN Name	Description
J2:1_8pin Ethernet Interface	1	ETHRX-	Adaptive Ethernet port, Internet RX-
	2	ETHRX+	Adaptive Ethernet port, Internet RX+
	3	ETHTX-	Adaptive Ethernet port, Internet TX-
	4	ETHTX+	Adaptive Ethernet port, Internet TX+
	5	Bi-directional D3+	Bidirectional data 3+
	6	Bi-directional D3-	Bidirectional data 3-
	7	Bi-directional D4+	Bidirectional data 4+
	8	Bi-directional D3-	Bidirectional data 4-

J3:1_6pin Power & UART Interface	1	DC_IN	DC12V
	2	GND	GND
	3	RXD1	TTL Level 3.3V, Pelco Protocol
	4	TXD1	TTL Level 3.3V, Pelco Protocol
	5	RXD0	TTL Level 3.3V, Visca Protocol
	6	TXD0	TTL Level 3.3V, Visca Protocol
J1:1_5pin Audio Interface	1	AUDIO_OUT	Audio Out (Line Out)
	2	GND	GND
	3	AUDIO_IN	Audio In (Line In)
	4	GND	GND
	5	NC	NC

---

**Hangzhou Savgood Technology Co., Ltd.**

Rm. 701, Xincheng Fazhan Building #1, No. 406 Xintiandi Street,  
Xiacheng District, Hangzhou City, 310004, China

Tel: +86 - (571) 8803 8121

Email: sales@savgood.com

<http://www.savgood.com>

<http://www.savgoodtech.com>

\*Design and specifications are subject to change without prior notification.

© 2013 Savgood Technology Co., Ltd.