

SG-ZCM2042DL

- 2Megapixel 42x Zoom Starlight Digital Camera Module



1. Features

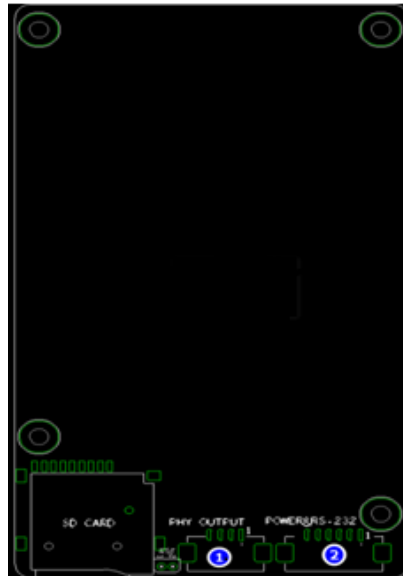
- > 1/2.8" Sony Exmor CMOS Sensor.
- > Powerful 42x optical zoom (7~300mm).
- > Max. 2Mp(1920x1080) Resolution
- > Support Electronic Defog
- > Accurate focus, high speed, great image effects, precise color reproduction, excellent night vision with low light effects.

2. Specification

Model		SG-ZCM2042DL
Sensor	Image Sensor	1/2.8" Sony Exmor CMOS
	Effective Pixels	Approx. 2.13 Megapixels
	TV Line	≥1100TVL
	Max. Resolution	1945 (H)x1225(V)
Lens	Focal Length	7mm~300mm, 42x Optical Zoom
	Aperture	F1.6~F6.0
	Close Focus Distance	0.1m~1.5m (Wide ~ Tale)
	Angle of View	42°~1.2°
Resolution	50Hz: 25/50fps@2Mp(1920x1080) 60Hz: 30/60fps@2Mp(1920x1080)	
S/N Ratio	≥55dB (AGC Off, Weight ON)	
Minimum Illumination	Color: 0.001Lux/F1.6; B/W: 0.0001Lux/F1.6	
EIS	Electronic Image Stabilization (ON/OFF)	
Electronic Defog	ON/OFF	
Day/Night	Auto(ICR) / Color / B/W	

Zoom Speed	Approx. 6s(Optical Wide-Tele)
White Balance	Auto/Manual/ATW/Indoor/Outdoor/ Outdoor Auto/ Sodium lamp Auto / Sodium lamp
Electronic Shutter Speed	1/1~1/30000s
Backlight Compensation	Support
Wide Dynamic Range	DWDR
High Light Control(HLC)	Support
Digital Zoom	4x
2D Noise Reduction	Support
3D Noise Reduction	Support
Communication Interface	LVDS Interface
Focus Mode	Auto/Manual/Semi-automatic
Operating Conditions	(-30°C~+60°C/20% to 80%RH)
Storage Conditions	(-40°C~+70°C/20% to 95%RH)
Power Supply	DC 12V±15% (Recommend: 12V)
Power Consumption	Static power: 4.5W, Sports power: 5.5W
Dimensions(L*W*H)	Approx. 146mm*54mm*69mm
Weight	Approx. 600

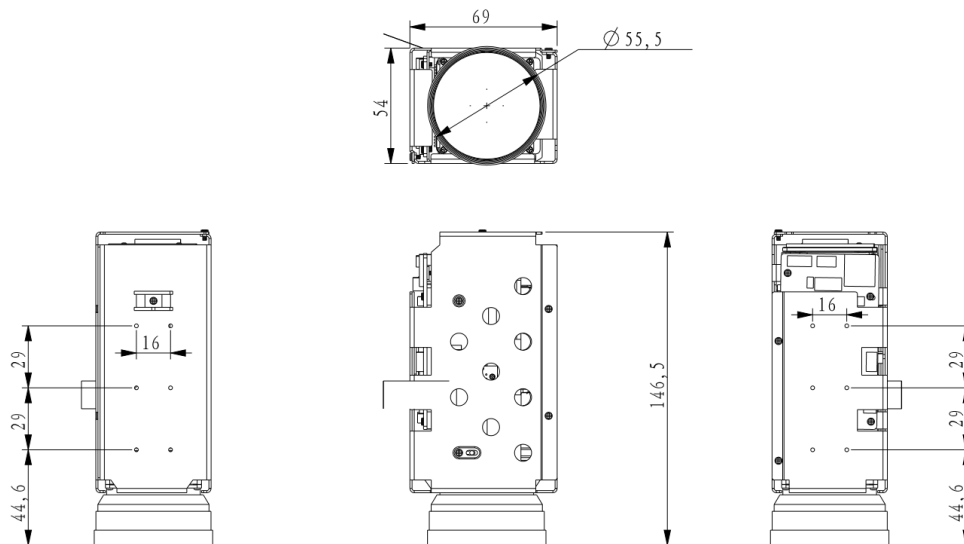
3. Interface Definition:



Port	Number	PIN Name	Description
(1) 6PIN Power Serial Port	1	DC_IN	DC Power input (DC +9V~+12V)
	2	GND	Ground PIN
	3	RXD1	TTL 3.3V, ISP Receive Signal (3.3V), Pelco Protocol
	4	TXD1	TTL 3.3V, ISP Transmit Signal (3.3V), Pelco Protocol
	5	RXD0	TTL 3.3V, ISP Receive Signal (3.3V), Visca Protocol
	6	TXD0	TTL 3.3V, ISP Transmit Signal (3.3V), Visca Protocol
(2) 30PIN Digital LVDS Interface	1	TXOUT3+	
	2	TXOUT3-	
	3	TXOUTCLK+	
	4	TXOUTCLK-	
	5	TXOUT2+	
	6	TXOUT2-	
	7	TXOUT1+	

8	TXOUT1-	
9	TXOUT0+	
10	TXOUT0-	
11	GND	Ground PIN
12	UART1_TX	VISCA Protocol: RS-232 Camera Transmit Signal, the same to TXD0 of 6PIN Port. SG Camera is CMOS 3.3V, SONY Camera is 5V.
13	UART1_RX	VISCA Protocol: RS-232 Camera Receive Signal, the same to RXD0 of 6PIN Port. SG Camera is CMOS 3.3V, SONY Camera is 5V.
14	DC_IN	DC Power input (DC+7V~+12V)
15	DC_IN	
16	DC_IN	
17	DC_IN	
18	DC_IN	
19	GND	Ground PIN
20	GND	
21	GND	
22	GND	
23	NC	SG Camera: Reserved PIN;
24	NC	SONY Camera: Ground PIN
25	NC	
26	CAM_RESET	Input Signal, Reserved power reset signal SG Camera: 3.3V; SONY Camera: 1.8V
27	CVBS_OUT	Analog Video Signal
28	NC	SG Camera: Reserved PIN; SONY Camera: Y, Pb, Pr Signal
29	NC	
30	NC	

4. Dimension



Hangzhou Savgood Technology Co., Ltd.

Rm. 701, Xincheng Fazhan Building #1, No. 406 Xintiandi Street,
Xiacheng District, Hangzhou City, 310004, China
Tel: +86 - (571) 8803 8121
Email: sales@savgood.com
http://www.savgood.com

*Design and specifications are subject to change without prior notification.
© 2013 Savgood Technology Co., Ltd.