

SG-PTD8030N

- 8Megapixel 30x Zoom Network PTZ Dome Camera



1. Features

- > 1/1.8" Sony Exmor CMOS Sensor.
- > Powerful 30x optical zoom (6~180mm).
- > Max. 12Mp(4000x3000), 8Mp(3840x2160) Resolution
- > Support various IVS functions
- > Support Electronic Defog
- > IR distance up to 250m
- > IP66
- > Support IVS Auto Tracking

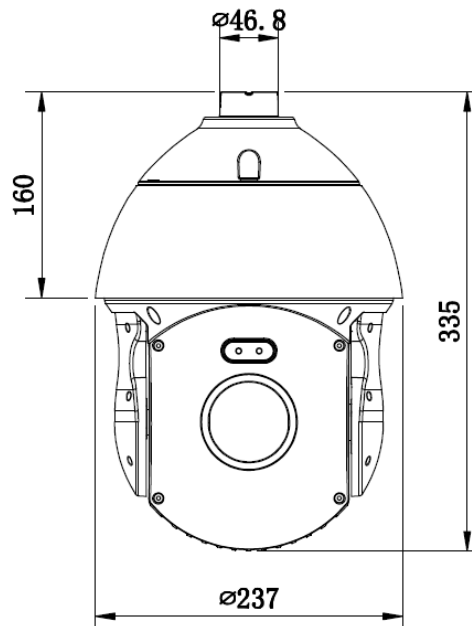
2. Specification

	Model	SG-PTD8030N
Sensor	Image Sensor	1/1.8" Sony Exmor CMOS
	Effective Pixels	Approx. 8.42 Megapixel
	Max. Resolution	3864(H)x2180(V)
Lens	Focal Length	6mm ~ 180mm, 30x Optical Zoom
	Aperture	F1.5~F4.3
	Close Focus Distance	0.1m~1.5m (Wide ~ Tale)
	Angle of View	63°~2.6°
Video Network	Compression	H.265/H.264/H.264H/MJPEG
	Streaming Capability	3 Streams
	Storage Capabilities	Support MicroSD card, up to 128G (Recommend use class10)
	Protocol	TCP/IP, HTTP, DHCP, DNS, DDNS, RTP, RTSP, PPPoE, SMTP, NTP, UPnP, FTP
	Interoperability	Onvif, GB28181,
	Smart Alarm	Motion Detection, Cover Alarm, Storage Full Alarm

Resolution	50Hz: 20fps@12Mp(4000x3000), 25fps@8Mp(3840x2160) 60Hz: 20fps@12Mp(4000x3000), 30fps@8Mp(3840x2160)	
IVS	Tripwire, Cross Fence Detection, Intrusion, Abandoned Object, Fast-Moving, Parking Detection, Crowd Gathering Estimation, Missing Object, Loitering Detection.	
S/N Ratio	≥55dB (AGC Off, Weight ON)	
Minimum Illumination	Color: 0.1Lux/F1.5; B/W: 0.01Lux/F1.5	
EIS	Electronic Image Stabilization (ON/OFF)	
ROI	Support 4 Areas	
Defog	ON/OFF	
Exposure Compensation	ON/OFF	
Strong Light Suppression	ON/OFF	
Day/Night	Auto(ICR) / Color / B/W	
IR	250m	
Zoom Speed	Approx 3.5s(Optical Wide-Tele)	
White Balance	Auto/Manual/ATW/Indoor/Outdoor/ Outdoor Auto/ Sodium lamp Auto / Sodium lamp	
Electronic Shutter Speed	Auto Shutter (1/3s~1/30000s)Manual Shutter (1/3s~1/30000s)	
Exposure	Auto/Manual	
Gain Control	Auto / Manual	
Noise Reduction	2D/3D	
Flip	Support	
Focus Mode	Auto/Manual/Semi-automatic/One time	
Digital Zoom	4x	
PTZ	Pan/Tilt Range	Pan: 360°; Tilt: -10°-90°
	Pan Speed	Configurable, pan: 0.1°-150°/s; preset speed: 180°/s
	Tilt Speed	Configurable, tilt: 0.1°-90°/s; preset speed: 90°/s
	OSD	Support
	Area Zoom In	Support
	Quick PTZ	Support
	Area Focus	Support
	Presets	255
	Patrol	4 Patrols, up to 10 presets for each patrol
	Pattern	1 pattern scan, 32 actions can be recorded continuously
	Line Scan	1
	360° Pan Scan	1
	Idle Motion	Activate Preset/Scan/Tour/Pattern/Pan Scan
	Power up action	Activate Preset/Scan/Tour/Pattern/Pan Scan
	Park Action	Preset/Patrol/Pattern
Auto Tracking	Support	

Interface	Power Supply	DC12V
	GND	GND(PTZ housing and Power Supply)
	Ethernet	RJ45(10Base-T/100Base-TX)
	Audio I/O	1/1
	Alarm I/O	1/1
	Video Interface	1 port(BNC, 1.0V[p-p], 75Ω)
	RS485	1
	RS232	1
	USB	1
Working Conditions		(-20°C~+60°C/20% to 95%RH)
Power Supply		DC 12V/4A, PoE
Power Consumption		Day: 6W; Patrol: 9W; Night (Patrol+ IR): 28W
Protection Level		IP66; TVS 6000V Lightning Protection, surge prevention, B/T17626.5
Dimensions(L*W*H)		Φ237(mm)×335(mm)
Weight		6kg

3. Dimension:



Hangzhou Savgood Technology Co., Ltd.

Rm. 701, Xincheng Fazhan Building #1, No. 406 Xintiandi Street,
 Xiacheng District, Hangzhou City, 310004, China
 Tel: +86 - (571) 8803 8121
 Email: sales@savgood.com
 http://www.savgood.com

*Design and specifications are subject to change without prior notification.
 © 2013 Savgood Technology Co., Ltd.