

## SG-PTZ2050N-6T75(100)(150)

- Thermal + Optical Bi-spectrum Heavy Load High Precision Network PTZ Camera
- 640x480 Detector with 75/100/150mm Motor Lens Network Thermal Imaging Camera Module
- 2Mp 6~300mm 50x Optical Zoom Starlight Network Zoom Camera Module



### 1. Features

- > High integrated PT and Housing, without exposure lines
- > Classification Society Standard: ASTM B117/ISO 9227 (2000 hours) Corrosion-resistant
- > Turbine/Worm drive, self-locking on Power OFF
- > 24H continuous operation, Life of motor and drive mechanism > 1 million revolutions
- > Horizontal 360° rotation, speed up to 0.01°~100°/S
- > Vertical -90°~+90°, speed up to 0.01°~60°/S
- > Precision of pre-positioning  $\pm 0.003^\circ$
- > Zoom Synchronization based on Visible Camera
- > Auto Tracking Based on Visible Camera

#### Visible Camera

- > 1/2" Sony Exmor CMOS Sensor.
- > Powerful 50x optical zoom (6~300mm).
- > Max. 2Mp(1920x1080) Resolution
- > Support various IVS functions
- > Support EIS and Optical Defog
- > Support video output from the network port.

#### Thermal Camera

- > 640x480 Resolution, high sensitivity sensor
- > 17um Pixel pitch.
- > 75mm/100mm/150mm Motor Thermal Lens
- > Support various IVS functions

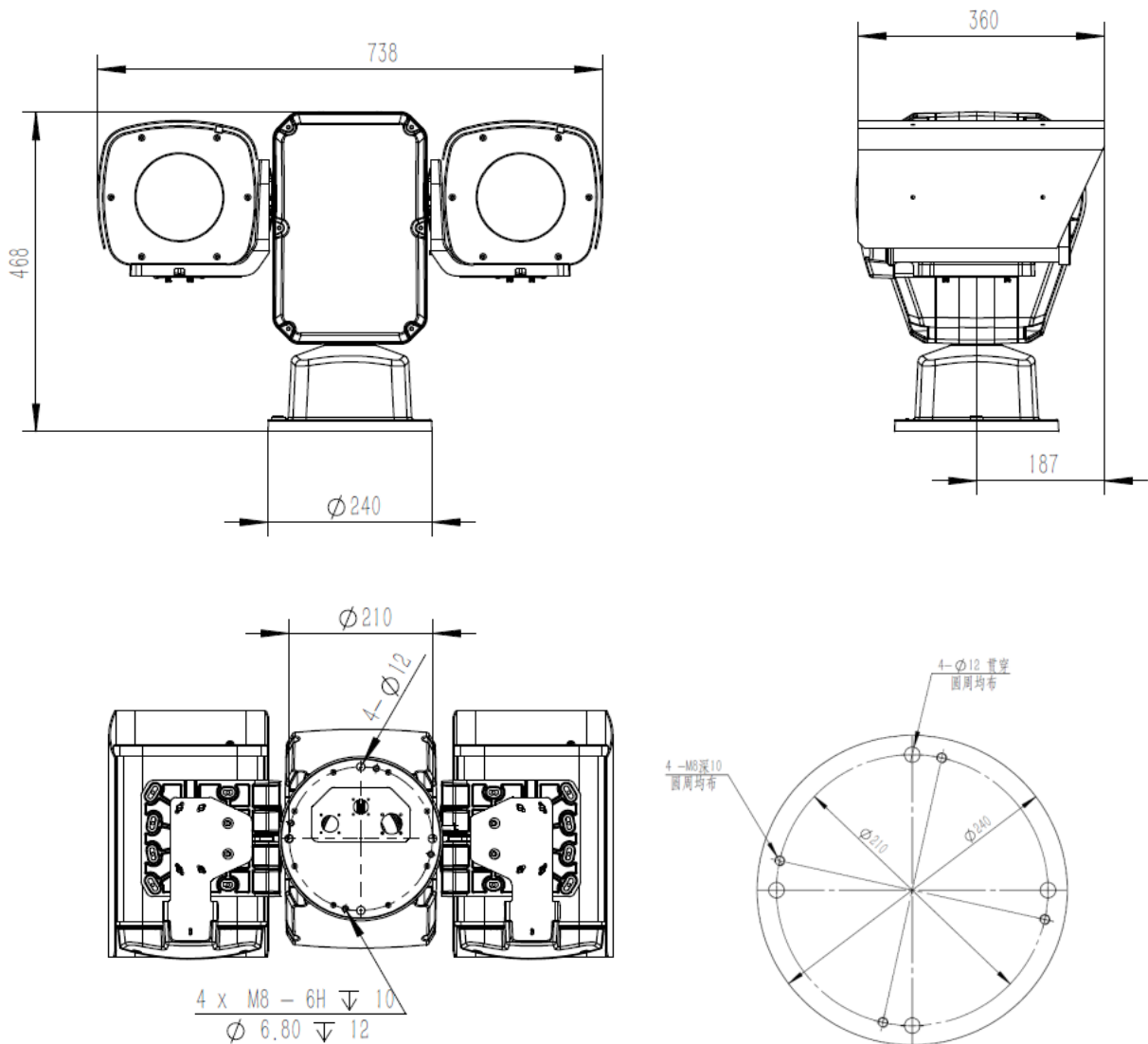
## 2. Specification

Model		SG-PTZ2050N-6T75	SG-PTZ2050N-6T100	SG-PTZ2050N-6T150
<b>Thermal</b>				
Sensor	Image Sensor	Uncooled VGA Thermal Detector		
	Resolution	640 x 480		
	Pixel Size	17µm		
	Spectral Range	8~14µm		
Lens	Focal Length	75mm	100mm	150mm
	F Value	F1.2	F1.2	F1.2
	Protection Level	IP66 waterproof for the 1st Glass of Lens.		
Video Network	Compression	H.265/H.264/H.264H		
	Storage Capabilities	TF card, up to 128G		
	Network Protocol	Onvif, GB28181, HTTP, RTSP, RTP, TCP, UDP		
Resolution		50Hz: 25fp@ (640x480)		
IVS Functions		Support Tripwire, Intrusion		
<b>Visible</b>				
Sensor	Image Sensor	1/2" Sony Exmor CMOS		
	Effective Pixels	Approx. 2.13 Megapixel		
	Max. Resolution	1945(H)x1097(V)		
Lens	Focal Length	6mm ~ 300mm, 50x Optical Zoom		
	Aperture	F1.4~F4.5		
	Close Focus Distance	1m~1.5m (Wide ~ Tale)		
	Angle of View	58.4°~1.4°		
Video Network	Compression	H.265/H.264/H.264H/MJPEG		
	Storage Capabilities	TF card, up to 128G		
	Network Protocol	Onvif, GB28181, HTTP, RTSP, RTP, TCP, UDP		
Resolution		50Hz: 50fps/25fps@2Mp(1920x1080), 25fps@1Mp(1280x720) 60Hz: 60fps/30fps@2Mp(1920x1080), 30fps@1Mp(1280x720)		
IVS		Tripwire, Cross Fence Detection, Intrusion, Abandoned Object, Fast-Moving, Parking Detection, Crowd Gathering Estimation, Missing Object, Loitering Detection.		
S/N Ratio		≥55dB (AGC Off, Weight ON)		
Minimum Illumination		Color: 0.001Lux/F1.4; B/W: 0.0001Lux/F1.4		
EIS		Electronic Image Stabilization (ON/OFF)		
Exposure Compensation		ON/OFF		

Strong Light Suppression	ON/OFF
Day/Night	Auto/Manual
Zoom Speed	Appr. 6.5s(Optical Wide-Tele)
Electronic Defog	ON/OFF
Optical Defog	Night Mode, 750nm~1100nm channel is Optical Defog
White Balance	Auto/Manual/ATW/Indoor/Outdoor/ Outdoor Auto/ Sodium lamp Auto / Sodium lamp
Electronic Shutter Speed	Auto Shutter (1/3s~1/30000s) Manual Shutter (1/3s~1/30000s)
Exposure	Auto/Manual
2D Noise Reduction	Support
3D Noise Reduction	Support
Flip	Support
External Control	RS232
Communication Interface	Compatible with the SONY VISCA Protocol
Focus Mode	Auto/Manual/Semi-automatic
Digital Zoom	4x
<b>Pan Tilt</b>	
Power On/OFF Self-Checking	Yes
Preset	256
Communication Mode	RS485
Pan/Tilt Range	Pan: 360° rotate; Tilt: -90°~+90°
Pan Speed	Configurable, pan: 0.01°~100°/s
Tilt Speed	Configurable, pan: 0.01°~60°/s
Precision of pre-positioning	±0.003°
Fan/Heater	Support/Auto
Scan	Support
Auxiliary switch	1-way input, 2-way relay output
Ethernet	1x RJ45(10Base-T/100Base-TX)
Audio I/O (Optional)	2/1
Alarm I/O (Optional)	1/1
Analog Video	1 port (BNC, 1.0V[p-p], 75Ω)
Audio Encode	G.711A/G.711Mu
RS485	1
Protective shield against fogging/icing	Support
Electrostatic/Surge Protection	Electrostatic 7000 volts, surge 6000 volts, differential 3000 volts
Waterproof	IP66
Power	DC 48V Power input
Power Consumption	60W

Humidity	0-90% non-condensing
Working temperature	-40°C~+60°C
Dimensions(L*W*H)	738mm*360mm*468mm
Weight	Approx. 60kg

### 3. Dimension



#### Hangzhou Savgood Technology Co., Ltd.

Rm. 701, Xincheng Fazhan Building #1, No. 406 Xintiandi Street,  
 Xiacheng District, Hangzhou City, 310004, China  
 Tel: +86 - (571) 8803 8121  
 Email: sales@savgood.com  
 http://www.savgood.com

\*Design and specifications are subject to change without prior notification.  
 © 2013 Savgood Technology Co., Ltd.