

SG-PTD2030NL-6T25

- Thermal + Optical Bi-spectrum Network PTZ Dome Camera

- 640x480 Thermal 25mm Lens + 2Mp 30x Zoom Starlight Network Camera Module



1. Features

- > 1 Channel Thermal and Visible Video complex stream.
- > One IP address for Main Control Chip, more stable than double IP version products.
- > Horizontal 360° rotation, speed up to 0.1°~150°/S
- > Vertical -10°~+90°, speed up to 0.1°~80°/S
- > IP66 Water proof

Visible Camera

- > 1/2.8" Sony Exmor CMOS Sensor.
- > Powerful 30x optical zoom (4.7~141mm Lens).
- > Max. 2Mp(1920x1080) Resolution
- > Support various IVS functions
- > Support Electronic Defog

Thermal Camera

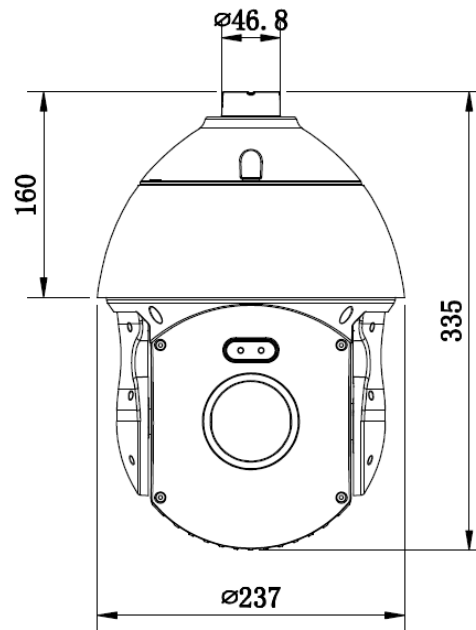
- > 640x480 Resolution, high sensitivity sensor
- > 17um Pixel pitch.
- > 25mm Fixed Thermal Lens

2. Specification

Model		SG-PTD2030NL-6T25
Thermal Camera		
Sensor	Image Sensor	Uncooled Microbolometer FPA(Amorphous silicon)
	Resolution	640 x 480
	Pixel Size	17μm
	Spectral Range	8~14μm
Lens	Focal Length	25mm
	F Value	1.0
	Digital Zoom	Support 8x (Area)
Video	Resolution	50Hz: 25fp @ (640x480)
Visible Camera		
Sensor	Image Sensor	1/2.8" Sony Exmor CMOS
	Effective Pixels	Approx. 2.13 Megapixel
	Max. Resolution	1945(H)x1225(V)
Lens	Focal Length	4.7mm~141mm
	Aperture	F1.5~F4.0
	Close Focus Distance	1m~1.5m (Wide ~ Tale)
	Angle of View	60.5°~2.3°
Video	Resolution	50Hz: 25/50fps@2Mp (1920x1080), 25fps@1Mp (1280x720) 60Hz: 30/60fps@2Mp (1920x1080), 30fps@1Mp (1280x720)
IVS	Tripwire, Cross Fence Detection, Intrusion, Abandoned Object, Fast-Moving, Parking Detection, Crowd Gathering Estimation, Missing Object, Loitering Detection.	
S/N Ratio	≥55dB (AGC Off, Weight ON)	
Minimum Illumination	Color: 0.01Lux/F2.0; B/W: 0.001Lux/F1.4	
EIS	Electronic Image Stabilization (ON/OFF)	
Exposure Compensation	ON/OFF	
Strong Light Suppression	ON/OFF	
Day/Night	Auto/Manual	
Zoom Speed	Appr. 6.5s(Optical Wide-Tele)	
Electronic Defog	ON/OFF	
White Balance	Auto/Manual/ATW/Indoor/Outdoor/ Outdoor Auto/ Sodium lamp Auto / Sodium lamp	
Electronic Shutter Speed	Auto Shutter (1/3s~1/30000s), Manual Shutter (1/3s~1/30000s)	
Exposure	Auto/Manual	
2D/3D Noise Reduction	Support	

Flip	Support	
Focus Mode	Auto/Manual/Semi-automatic	
Digital Zoom	4x (Area is 16x)	
PTZ		
Pan/Tilt Range	Pan: 360°; Tilt: -10°-90°	
Pan Speed	Configurable, pan: 0.1°~150°/s; preset speed: 180°/s	
Tilt Speed	Configurable, pan: 0.1°~80°/s; preset speed: 80°/s	
Presets	255	
Patrol	4 Patrols, up to 10 presets for each patrol	
Pattern	1 pattern scan, 32 actions can be recorded continuously	
Line Scan	1	
360° Pan Scan	1	
Idle Motion	Activate Preset/Scan/Tour/Pattern/Pan Scan	
Power up action	Activate Preset/Scan/Tour/Pattern/Pan Scan	
Park Action	Preset/Patrol/Pattern	
General Function		
Compression	H.265/H.264/H.264H	
Storage Capabilities	MicroSD card slot, up to 128G	
Network Protocol	TCP/IP, HTTP, HTTPs, DHCP, DNS, DDNS, RTP, RTSP, PPPoE, SMTP, NTP, UPnP, FTP	
Interoperability	ONVIF, GB/T28181, CGI	
Interface	Power Interface	AC24
	Ethernet	RJ45(10Base-T/100Base-TX)
	Audio I/O	1/1
	Alarm I/O	1/1
	Video Interface	1 port (BNC, 1.0V[p-p], 75Ω)
	RS485	1, support Pelco-D protocol
Working Conditions	-20°C~+60°C(<95%RH)	
Power Supply	AC24V	
Power Consumption	Day: 6W; Patrol: 9W; Night (Patrol+ IR): 28W	
Protection Level	IP66; TVS 6000V Lightning Protection, surge prevention, B/T17626.5	
Dimensions(L*W*H)	Φ237(mm)×335(mm)	
Weight	6kg	

3. Dimension



Hangzhou Savgood Technology Co., Ltd.

Rm. 701, Xincheng Fazhan Building #1, No. 406 Xintiandi Street,
Xiacheng District, Hangzhou City, 310004, China
Tel: +86 - (571) 8803 8121
Email: sales@savgood.com
<http://www.savgood.com>

*Design and specifications are subject to change without prior notification.
© 2013 Savgood Technology Co., Ltd.